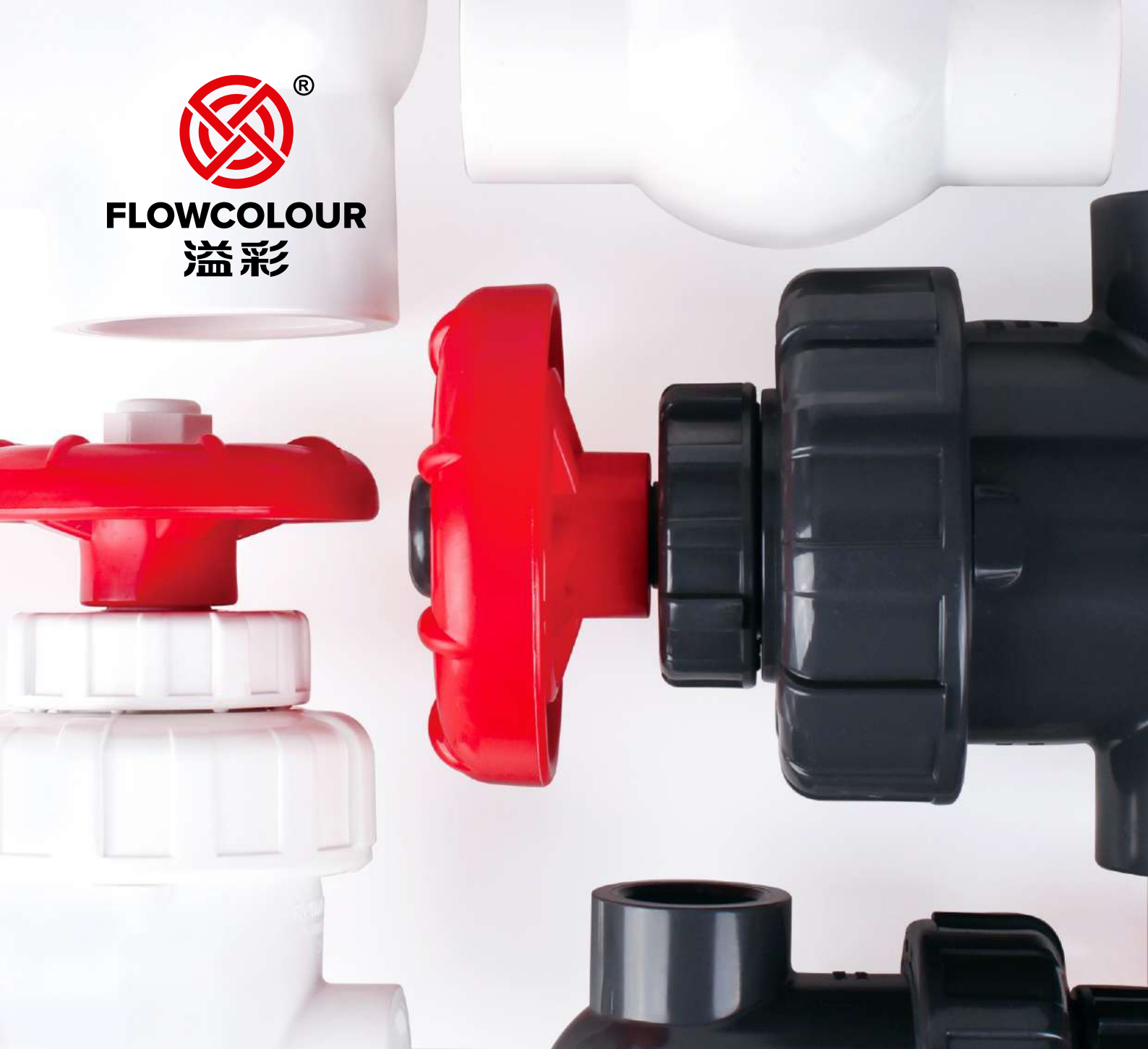




FLOWCOLOUR
溢彩



2024

产品册

**PRODUCT
BROCHURE**

FOCUS ON SPECIALTY PRODUCTS
AND TAILORED SERVICES FOR
THERMOPLASTIC PIPING SYSTEM



CONTENTS



FLOWCOLOUR

01

PIPES

UPVC

Pipe(Gray)	1.01
Pipe(Multicolour)	1.02

CLEAR PVC

Pipe	1.03
------	------

PMMA

Pipe	1.04
------	------

02

FITTINGS

UPVC

90° Elbow	2.01
45° Elbow	2.02
Tee	2.03
Coupling	2.04
Cap	2.05
Reducing Bushing	2.06
Female Reducer Bushing	2.07
Male*Female Reducer Bushing	2.08
Male Adapter	2.09
90° Bend Elbow	2.10
Y Tee	2.11
Bend Tee	2.12
Spigot Screen	2.13
Thread Screen	2.14
Socket Hose Adapter	2.15
Spigot Hose Adapter	2.16
Male Hose Adapter	2.17
Nipple	2.18
Union	2.19

CONTENTS



FLOWCOLOUR

02

FITTINGS

UPVC

Spigot Union	2.20
Male Union	2.21
Female Union	2.22
4D Radius Bocht 45°	2.23
4D Radius Bocht 83°	2.24
4D Radius Bocht 90°	2.25
Female Sampling Header	2.26

CLEAR PVC

90° Elbow	2.27
45° Elbow	2.28
Tee	2.29
Coupling	2.30
Cap	2.31

PMMA

90° Elbow	2.32
45° Elbow	2.33
Tee	2.34
Coupling	2.35
Cap	2.36
Triangular Sweeper	2.37
Male Adapter	2.38
Nut	2.39

PP

Male Cap	2.40
----------	------

CONTENTS



FLOWCOLOUR

03

VALVES

UPVC

Male Sampling Valve	3.01
Socket/Spigot Sampling Valve	3.02
Gate Valve	3.03
Spring Check Valve	3.04
Swing Check Valve	3.05
Angle Valve	3.06

04

AQUARIUM FITTINGS

Bulkhead	4.01
Elbow Bulkhead	4.02
Force Drain	4.03
Elbow Force Drain	4.04
Quick Bulkhead	4.05
Union Connector	4.06
Ribbed Hosing	4.07
Rain Pipe	4.08
Double End Rotating Water Outlet	4.09
Outlet Connector	4.10
Elbow Outlet Connector	4.11
Triangle Water Outlet	4.12
Laval Water Outlet	4.13
Bottom Outlet	4.14

05

OTHER ACCESSORIES

Union Static Mixer	5.01
Flanged Static Mixer	5.02
Female Calibration Column	5.03
Union Calibration Column	5.04
Divider Plate	5.05

CONTENTS



FLOWCOLOUR

05

OTHER ACCESSORIES

UV Sterilizer	5.06
Ball Valve Gearbox	5.07
Sensor Holder	5.08



PIPE (Gray)

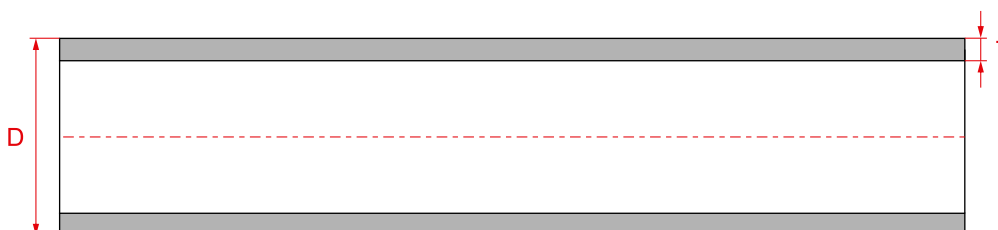
SIZE: DN10

MATERIAL: UPVC

STANDARD: DIN

COLOUR: Gray

PRESSURE: 1.6Mpa



Unit:mm

NOMINAL SIZE		OUTSIDE DIA		STRUCTURE SIZE		APPROX. WT.	PRODUCT CODE
DIN	DN	D	Tolerance	T	Tolerance	g/m	
16mm	DN10	16	±0.1	2.0	±0.1	141	101UD16G-16



PIPE (Multicolour)

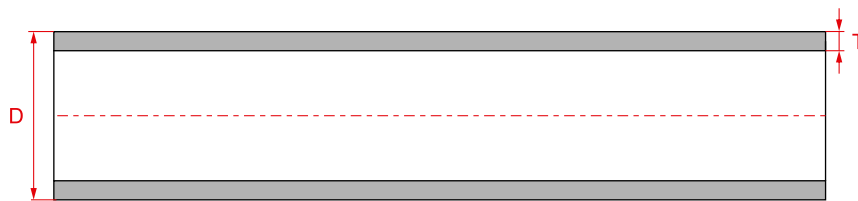
SIZE: DN15~DN50

MATERIAL: UPVC

STANDARD: DIN

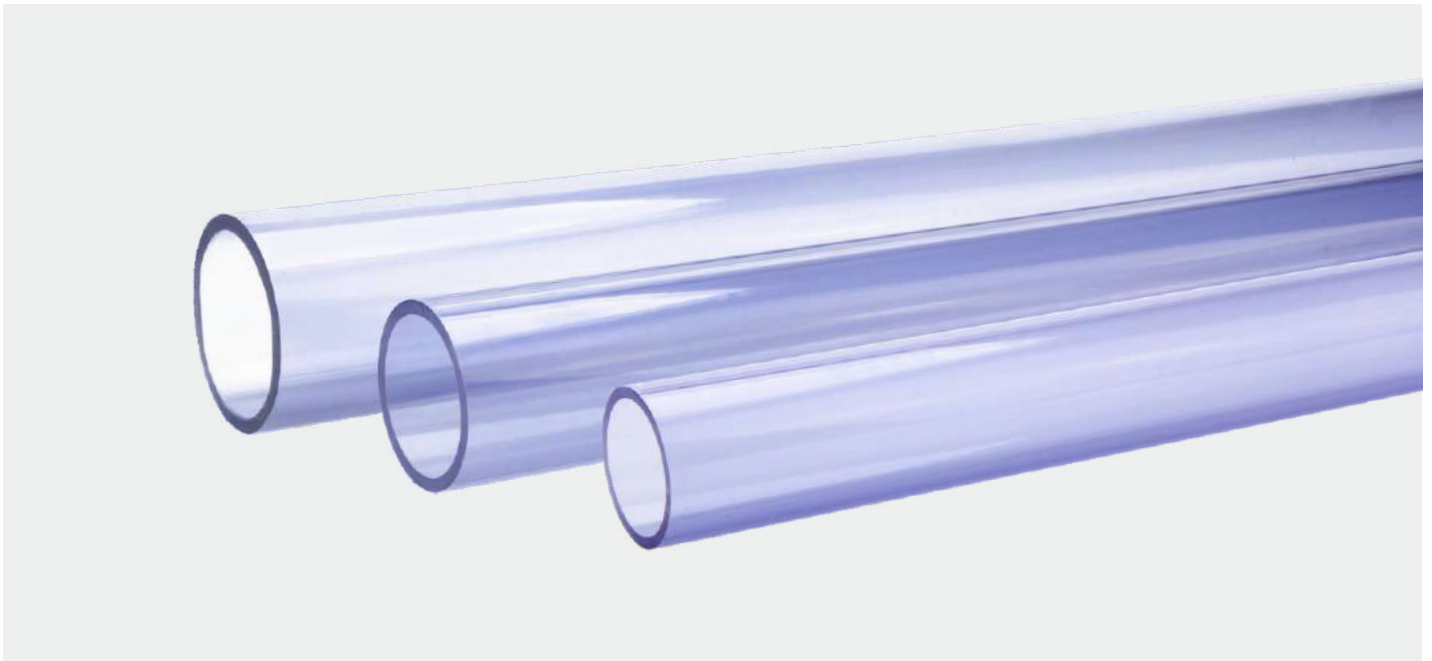
COLOUR: Purple, Red, Orange, Blue, Black

PRESSURE: 1.0Mpa



Unit:mm

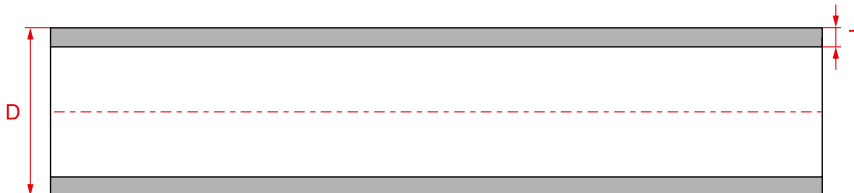
NOMINAL SIZE		OUTSIDE DIA		STRUCTURE SIZE		APPROX. WT.	PRODUCT CODE
DIN	DN	D	Tolerance	T	Tolerance	g/m	
20mm	DN15	20	±0.3	2.0	±0.2	173	101UD10R-20
25mm	DN20	25	±0.3	2.0	±0.2	230.3	101UD10R-25
32mm	DN25	32	±0.3	2.0	±0.2	310	101UD10R-32
40mm	DN32	40	±0.3	2.0	±0.2	392	101UD10R-40
50mm	DN40	50	±0.3	2.4	±0.2	606	101UD10R-50
63mm	DN50	63	±0.3	3.0	±0.2	903.5	101UD10R-63



PIPE

SIZE: DN15~DN150

MATERIAL: Clear-PVC
STANDARD: DIN
COLOUR: Clear
PRESSURE: 1.0Mpa



Unit:mm

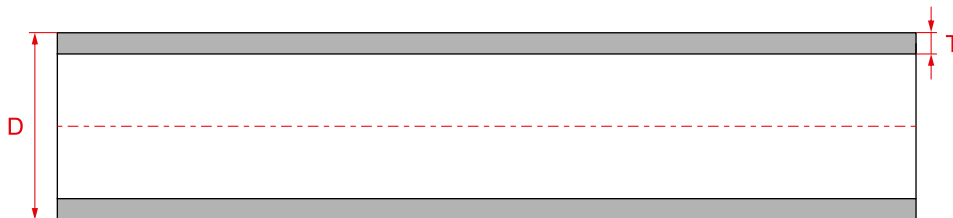
NOMINAL SIZE		OUTSIDE DIA		STRUCTURE SIZE		APPROX. WT.	PRODUCT CODE
DIN	DN	D	Tolerance	T	Tolerance	g/m	
20mm	DN15	20	±0.3	2.5	±0.3	173	103UD10T-20
25mm	DN20	25	±0.3	2.5	±0.3	237.2	103UD10T-25
32mm	DN25	32	±0.3	3.2	±0.3	356.9	103UD10T-32
40mm	DN32	40	±0.3	3.5	±0.3	489.4	103UD10T-40
50mm	DN40	50	±0.3	3.5	±0.3	719.5	103UD10T-50
63mm	DN50	63	±0.3	4.0	±0.3	1025	103UD10T-63
75mm	DN65	75	±0.3	4.5	±0.3	1250	103UD10T-75
90mm	DN80	90	±0.3	5.0	±0.3	1600	103UD10T-90
110mm	DN100	110	±0.3	5.5	±0.3	2300	103UD10T-110
140mm	DN125	140	±0.3	5.5	±0.3	3550	103UD10T-140
160mm	DN150	160	±0.3	5.5	±0.3	--	103UD10T-160



PIPE

SIZE: DN15~DN40

MATERIAL: PMMA
STANDARD: DIN
COLOUR: Transparent
PRESSURE: 1.0Mpa*



Unit:mm

NOMINAL SIZE		OUTSIDE DIA		STRUCTURE SIZE		APPROX. WT.	PRODUCT CODE
DIN	DN	D	Tolerance	T	Tolerance	g/m	
20mm	DN15	20	±0.1	2.0	±0.1	168	104PMAD10T-20
25mm	DN20	25	±0.1	2.5	±0.1	216	104PMAD10T-25
32mm	DN25	32	±0.1	2.5	±0.1	285	104PMAD10T-32
40mm	DN32	40	±0.2	2.8	±0.2	416	104PMAD10T-40
50mm	DN40	50	±0.2	2.8	±0.2	490	104PMAD10T-50

* **Indicates:** There is no executive standard for PMMA material pipelines for liquid conveying pipelines, according to the material characteristics and with reference to the ISO 4219.1 standard, the pressure standard is tentatively set to 1.0Mpa, which is the maximum working pressure . Please use the pipeline below the maximum working pressure.



90° ELBOW

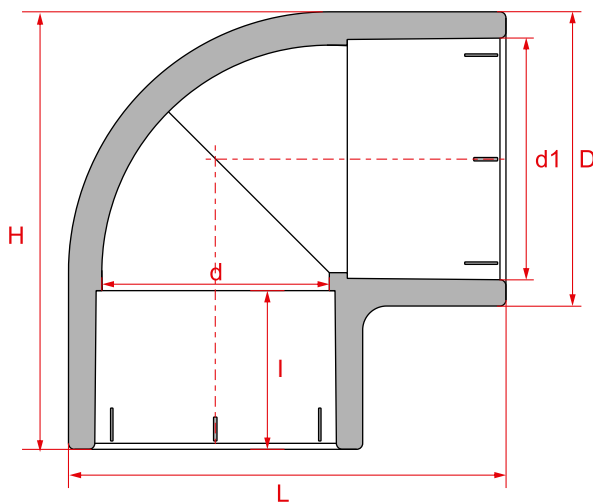
SIZE: DN10-DN50

CONNECTION: Socket

MATERIAL: UPVC

STANDARD: DIN

COLOUR: Gray, Black



Unit:mm

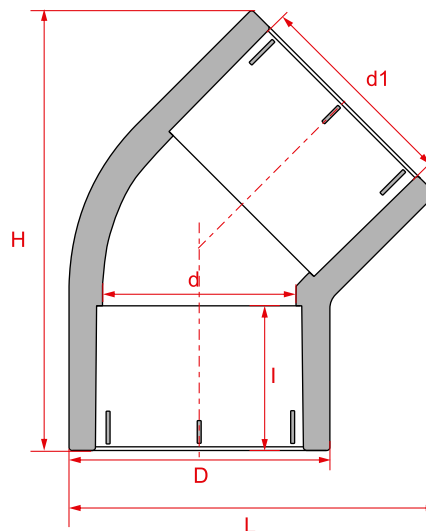
NOMINAL SIZE	STRUCTURE SIZE						PRESSURE	APPROX. WT.	PRODUCT CODE
	DN	d1	D	d	I	L			
DN10	16	22	14	14	35	35	16	11.8	216UD16G-16
DN15	20	27	19	16.5	42	42	16	19.6	216UD16G-20
DN20	25	33	24	19	50.5	50.5	16	32.5	216UD16G-25
DN25	32	40.5	30	22.5	61	61	16	53.4	216UD16G-32
DN32	40	49.1	38	26.5	73	73	16	83.6	216UD16G-40
DN40	50	61	46	31.5	87.5	87.5	16	151.5	216UD16G-50
DN50	63	75.1	60	38	108	108	16	--	216UD16G-63



45° ELBOW

SIZE: DN15-DN50

CONNECTION: Socket
MATERIAL: UPVC
STANDARD: DIN
COLOUR: Gray, Black



Unit:mm

NOMINAL SIZE	STRUCTURE SIZE						PRESSURE	APPROX. WT.	PRODUCT CODE
	DN	d1	D	d	I	L			
DN15	20	27	19	16.5	39.3	48.7	16	17	217UD16B-20
DN20	25	33	24	19	46.7	58	16	27.7	217UD16B-25
DN25	32	40.5	30	22.5	56.5	68.1	16	44.2	217UD16B-32
DN32	40	49.1	38	26.5	68	81.2	16	68.8	217UD16B-40
DN40	50	61	46	31.5	82	96	16	123	217UD16B-50
DN50	63	75.1	60	38	101	118	16	--	217UD16B-63



TEE

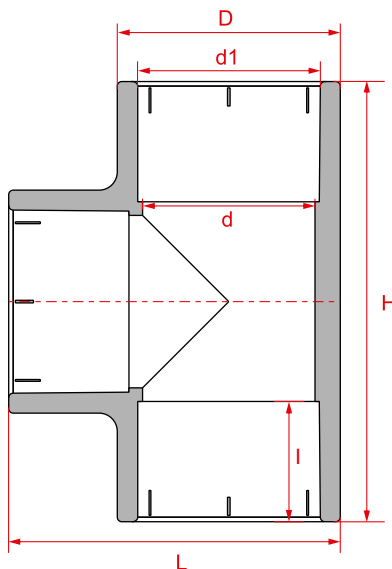
SIZE: DN10-DN50

CONNECTION: Socket

MATERIAL: UPVC

STANDARD: DIN

COLOUR: Gray, Black



Unit:mm

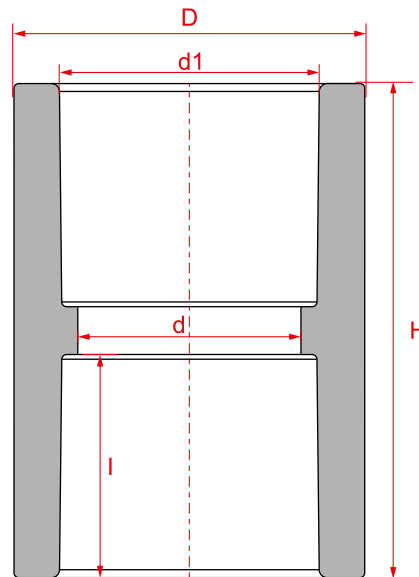
NOMINAL SIZE	STRUCTURE SIZE						PRESSURE	APPROX. WT.	PRODUCT CODE
	DN	d1	D	d	I	L			
DN10	16	22	14	14	35	48	16	15.7	218UD16G-16
DN15	20	27	19	16.5	42	57	16	25.9	218UD16G-20
DN20	25	33	24	19	50.5	68	16	43.1	218UD16G-25
DN25	32	40.5	30	22.5	60.8	81	16	69.3	218UD16G-32
DN32	40	49.1	38	26.5	73	97	16	109	218UD16G-40
DN40	50	61	46	31.5	87.5	114	16	159.2	218UD16G-50
DN50	63	75.1	60	38	109	142	16	--	218UD16G-63



COUPLING

SIZE: DN10-DN50

CONNECTION: Socket
MATERIAL: UPVC
STANDARD: DIN
COLOUR: Gray, Black



Unit:mm

NOMINAL SIZE	STRUCTURE SIZE					PRESSURE	APPROX. WT.	PRODUCT CODE
	DN	d1	D	d	l			
DN10	16	22	14	14	31	16	7.9	219UD16G-16
DN15	20	27	16	16	35	16	12.8	219UD16G-20
DN20	25	33	21	19	41	16	21	219UD16G-25
DN25	32	41	28	22	48	16	35.5	219UD16G-32
DN32	40	49	38	26.5	57	16	51.4	219UD16G-40
DN40	50	61	45.2	31	67	16	90.7	219UD16G-50
DN50	63	75	57	38	81	16	--	219UD16G-63



CAP

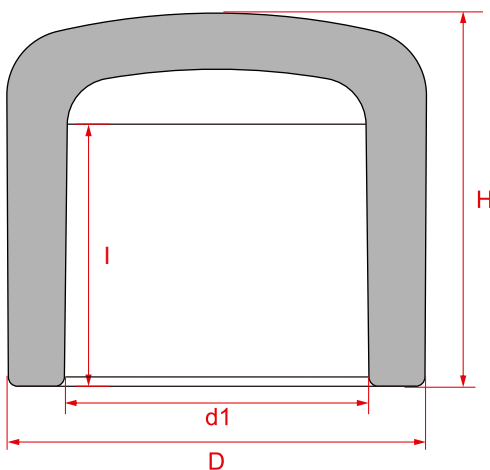
SIZE: DN10-DN40

CONNECTION: Socket

MATERIAL: UPVC

STANDARD: DIN

COLOUR: Gray, Black



Unit:mm

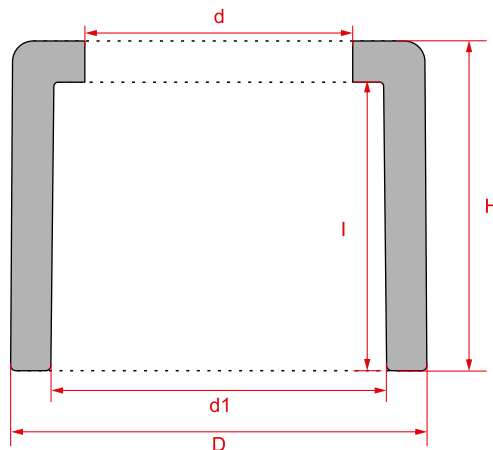
NOMINAL SIZE	STRUCTURE SIZE				PRESSURE	APPROX. WT.	PRODUCT CODE
DN	d1	D	I	H	PN	g	Gray
DN10	16	22.3	14	20	16	5.7	220UD16G-16
DN15	20	27.3	16	23.1	16	9.5	220UD16G-20
DN20	25	33.3	19	27.3	16	15.6	220UD16G-25
DN25	32	41.3	22	31.6	16	25.9	220UD16G-32
DN32	40	49.3	26	36.2	16	37	220UD16G-40
DN40	50	61.3	31	43.6	16	67.8	220UD16G-50
DN50	63	75.3	38	52.8	16	--	220UD16G-63



Reducing Bushing

SIZE: DN15*DN10

CONNECTION: Socket
MATERIAL: UPVC
STANDARD: DIN
COLOUR: Gray



Unit:mm

NOMINAL SIZE	STRUCTURE SIZE					PRESSURE	APPROX. WT.	PRODUCT CODE
DN	d1	D	d	I	H	PN	g	
DN15*DN10	16	20	13	14	16	16	2.7	223UD16G-20/16



FEMALE REDUCER BUSHING

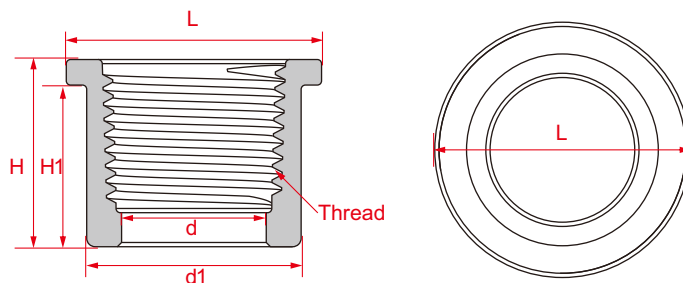
SIZE: 1/4" ~ 3/4"

CONNECTION: Socket, Thread

MATERIAL: UPVC

STANDARD: DIN, ANSI, JIS

COLOUR: Gray



Unit:mm

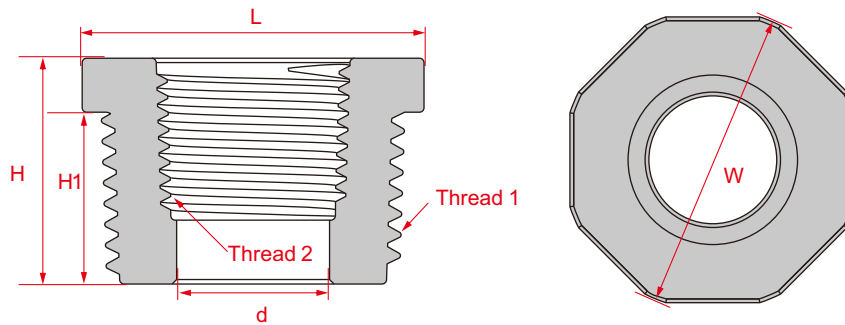
NOMINAL SIZE	STRUCTURE SIZE						PRESSURE	APPROX. WT. g	PRODUCT CODE
	d1	d	L	H	H1	Thread			
20mm*1/4"	20	10	25	19	16	1/4"PT	16		225UD16G-25/8P
20mm*3/8"	20	13	25	19	16	3/8"PT	16		225UD16G-25/10P
25mm*1/2"	25	17	30	22	19	1/2"PT	16		225UD16G-25/20P
25mm*3/8"	25	13	30	22	19	3/8"PT	16		225UD16G-25/10P
32mm*1/2"	32	17	35	25.5	22.5	1/2"PT	16	21.1	225UD16G-32/20P
32mm*3/4"	32	23.8	35	25.5	22.5	3/4"PT	16	13.2	225UD16G-32/25P
32mm*3/4"	32	23.8	35	25.5	22.5	3/4"NPT	16	13.2	225UD16G-32/25N
16A*1/4"	22	10	25	33	30	1/4"PT	16		225UJ16G-16A/8P
20A*1/2"	26	17	30	38	35	1/2"PT	16		225UJ16G-20A/20P
20A*1/4"	26	10	30	38	35	1/4"PT	16		225UJ16G-20A/8P
25A*1/2"	32	17	35	43	40	1/2"PT	16		225UJ16G-25A/20P
25A*1/4"	32	10	35	43	40	1/4"PT	16		225UJ16G-25A/8P



MALE * FEMALE REDUCER BUSHING

SIZE: 3/8"~ 1"

CONNECTION: Thread
MATERIAL: UPVC
STANDARD: DIN, ANSI
COLOUR: Gray



Unit:mm

NOMINAL SIZE	STRUCTURE SIZE						PRESSURE	APPROX. WT.	PRODUCT CODE	
	d	H	H1	L	W	Thread1				Thread2
3/4"×1/2"	16	23.5	17.5	32	33.5	3/4"NPT	1/2"NPT	16		226UA16G-25N/20N
1"×1/2"	16	27	21	38	40	1"NPT	1/2"NPT	16		226UA16G-32N/20N
1"×3/4"	22	27	21	38	40	1"NPT	3/4"NPT	16	16.4	226UA16G-32N/25N
1/2"×1/4"	10	21	15	26	27.5	1/2"PT	1/4"PT	16		226UD16G-20P/8P
1/2"×3/8"	13	21	15	26	27.5	1/2"PT	3/8"PT	16		226UD16G-20P/10P
3/4"×1/2"	13	22.3	16.3	32	33.5	3/4"PT	3/8"PT	16		226UD16G-25P/10P
3/4"×3/8"	17	22.3	16.3	32	33.5	3/4"PT	1/2"PT	16		226UD16G-25P/20P
1"×1/2"	17	25	19	38	40	1"PT	1/2"PT	16	23	226UD16G-32P/20P
1"×3/4"	23	25	19	38	40	1"PT	3/4"PT	16		226UD16G-32P/25P



MALE ADAPTER

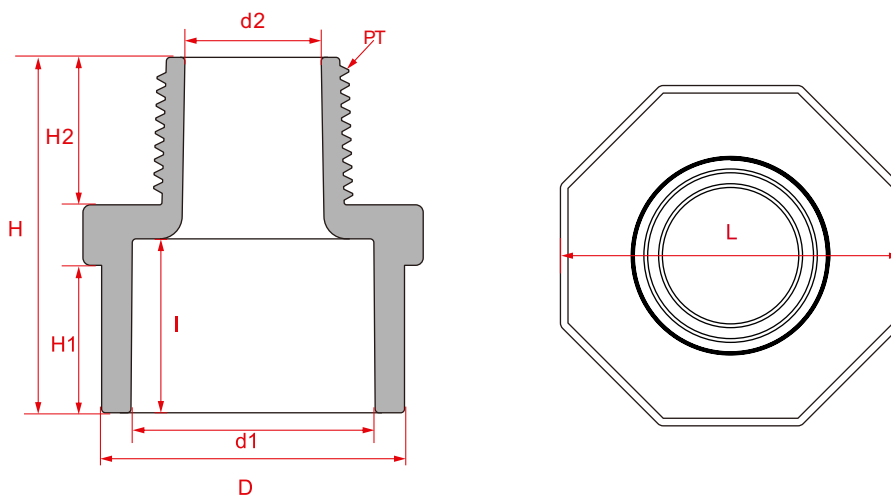
SIZE: 20mm*3/4", 32mm*3/4", 50mm*1-1/2"

CONNECTION: Socket, Spigot, Thread

MATERIAL: UPVC

STANDARD: DIN

COLOUR: Gray



Unit:mm

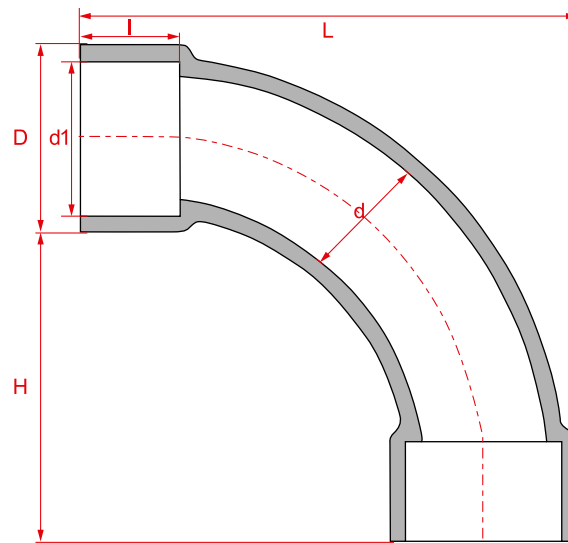
NOMINAL SIZE	STRUCTURE SIZE									PRESSURE	APPROX. WT.	PRODUCT CODE
	d1*PT	d1	D	d2	I	L	H	H1	H2			
20mm*3/4"	20	25	18	16.5	30	46.5	19	19.5	3/4"	16	15.7	224UD16G-25P/20
32mm*3/4"	32	40	18	22.5	45	47	19.5	19.5	3/4"	16	30.6	224UD16G-25P/32
50mm*1-1/2"	50	63	37.2	32.5	64	63	29	24	1-1/2"	16	88.9	224UD16G-50P/50



90° BEND ELBOW

SIZE: DN15~DN50

CONNECTION: Socket
MATERIAL: UPVC
STANDARD: DIN
COLOUR: Gray, White



Unit:mm

NOMINAL SIZE	STRUCTURE SIZE						PRESSURE	APPROX. WT.	PRODUCT CODE
DN	d1	D	d	l	L	H	PN	g	Gray
DN15	20	27	16.5	16.5	70.5	43.5	16	36	204UD16G-20
DN20	25	33	20.5	19	85.1	52.1	16	60	204UD16G-25
DN25	32	41	26	22.5	106.5	65.5	16	107	204UD16G-32
DN32	40	50	32	26	130.4	80.4	16	174	204UD16G-40
DN40	50	61	40	31	161	100	16	291	204UD16G-50
DN50	63	76	50	38	201.5	125.5	16	530	204UD16G-63



Y TEE

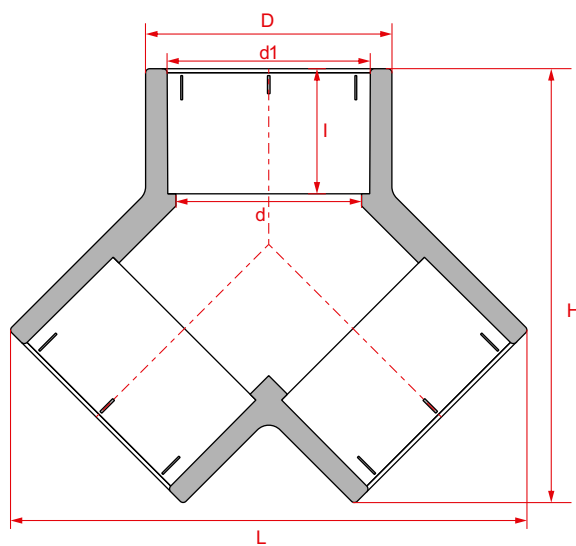
SIZE: DN15~DN50

CONNECTION: Socket

MATERIAL: UPVC, Clear-PVC, CPVC

STANDARD: DIN

COLOUR: Gray



Unit:mm

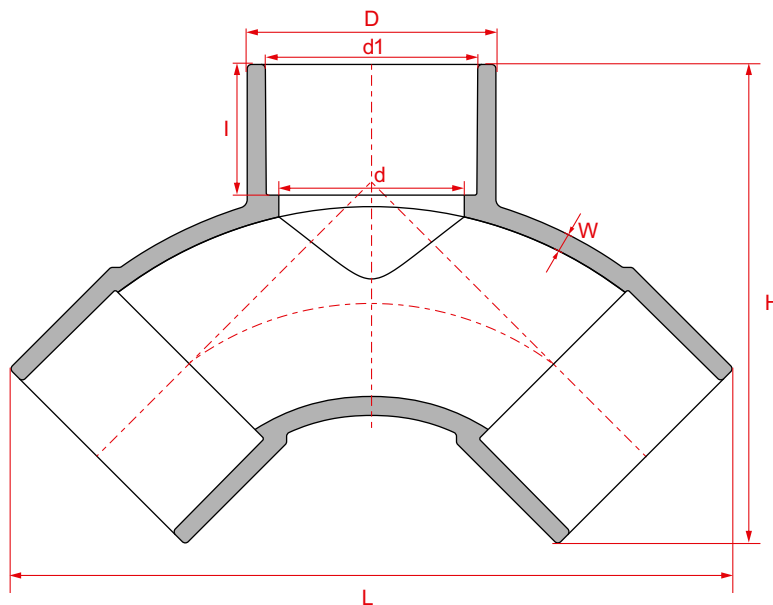
NOMINAL SIZE	STRUCTURE SIZE						PRESSURE	APPROX. WT.	PRODUCT CODE
DN	d1	D	d	l	L	H	PN	g	Gray
DN15	20	27	19	16.5	61	53.4	16	25	211UD16G-20
DN20	25	33	24	19	72.4	63.2	16	39	211UD16G-25
DN25	32	40.5	30	22.5	87.2	75.3	16	70	211UD16G-32
DN32	40	49	38	26.5	106.6	90.6	16	107	211UD16G-40
DN40	50	61	46	31.5	127.9	107.5	16	190	211UD16G-50
DN50	63	75	60	38	160.3	133.6	16	316	211UD16G-63



BEND TEE

SIZE: DN40, DN50

CONNECTION: Socket
MATERIAL: UPVC
STANDARD: DIN
COLOUR: Gray



Unit:mm

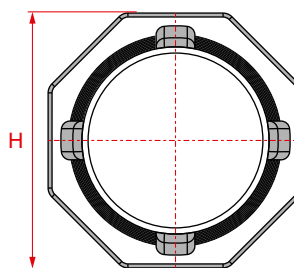
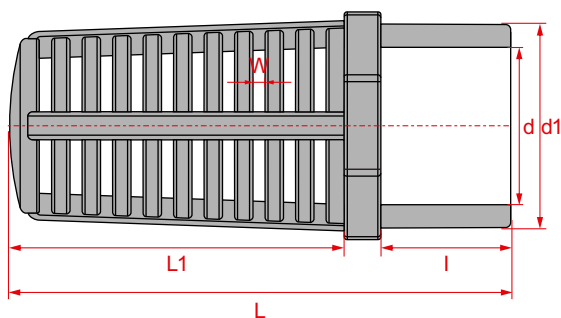
NOMINAL SIZE	STRUCTURE SIZE							PRESSURE	APPROX. WT.	PRODUCT CODE
DN	d1	D	d	I	L	H	W	PN	g	
DN40	50	59	46	31	171.1	113.5	4.5	16	198.5	205UD16G-50
DN50	63	74	59	38	213.8	141.9	5	16	356.8	205UD16G-63



SPIGOT SCREEN

SIZE: DN15~DN50

- CONNECTION:** Spigot
- MATERIAL:** UPVC
- STANDARD:** DIN
- COLOUR:** Gray



Unit:mm

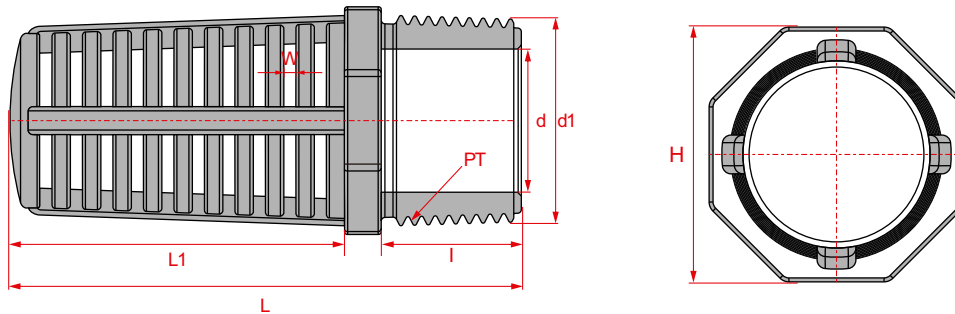
NOMINAL SIZE	STRUCTURE SIZE							PRESSURE	APPROX. WT.	PRODUCT CODE
DN	d1	d	I	L	L1	H	W	PN	g	
DN15	20	13	16	61.6	39.6	25	1.8	10	13.9	201UD10G-20
DN20	25	18	18.5	69.8	44.9	30	1.8	10	22.6	201UD10G-25
DN25	32	23	22	79.5	50.5	37	1.8	10	37.6	201UD10G-32
DN32	40	32	26	99.5	66	45	2.3	10	56.9	201UD10G-40
DN40	50	40	31	111.4	72.5	56	2.3	10	88	201UD10G-50
DN50	63	50	37.5	118.8	73	69	2.3	10	143.4	201UD10G-63



THREAD SCREEN

SIZE: DN15~DN50

CONNECTION: Thread
MATERIAL: UPVC
STANDARD: DIN
COLOUR: Gray



Unit:mm

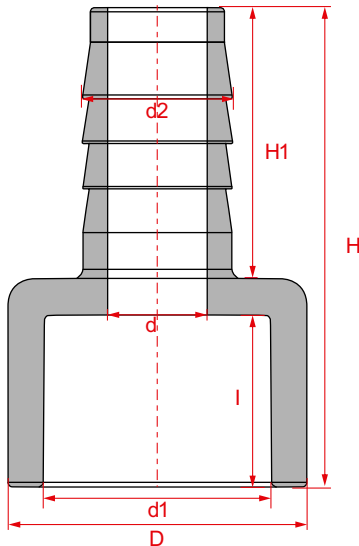
NOMINAL SIZE	STRUCTURE SIZE							PRESSURE	APPROX. WT.	PRODUCT CODE	
DN	d1	d	I	L	L1	H	W	Thread	PN	g	
DN15	1/2"	13	17.2	62.8	39.6	25	1.8	PT	10	13.8	201UD10G-20P
DN20	3/4"	18	19.5	70.9	44.9	30	1.8	PT	10	23.2	201UD10G-25P
DN25	1"	23	21.8	79.3	50.5	37	1.8	PT	10	37.2	201UD10G-32P
DN32	1-1/4"	31	24.1	97.6	66	45	2.3	PT	10	57.3	201UD10G-40P
DN40	1-1/2"	37	24.1	104.5	72.5	56	2.3	PT	10	78.4	201UD10G-50P
DN50	2"	48	28.4	109.9	73	69	2.3	PT	10	116.3	201UD10G-63P



SOCKET HOSE ADAPTER

SIZE: DN15, DN20

- CONNECTION:** Socket
- MATERIAL:** UPVC
- STANDARD:** DIN
- COLOUR:** Gray, White



Unit:mm

NOMINAL SIZE	STRUCTURE SIZE							PRESSURE	APPROX. WT.	PRODUCT CODE
d1*d2	d1	d2	D	d	l	H	H1	PN	g	Gray
20*12.5	20	12.5	27	7	16	50	30	10	11.6	202UD10G-20/12.5
20*16.5	20	16.5	27	11	16	50	30	10	12.6	202UD10G-20/16.5
20*21	20	21	27	15	16	50	30	10	14.3	202UD10G-20/21
25*16.5	25	16.5	32.8	11	19	52.5	30	16	17.8	202UD16G-25/16.5
25*21	25	21	32.8	15	19	52.8	30	16	19.6	202UD16G-25/21
25*26	25	26	32.8	19	19	57.8	35	16	22.6	202UD16G-25/26



SPIGOT HOSE ADAPTER

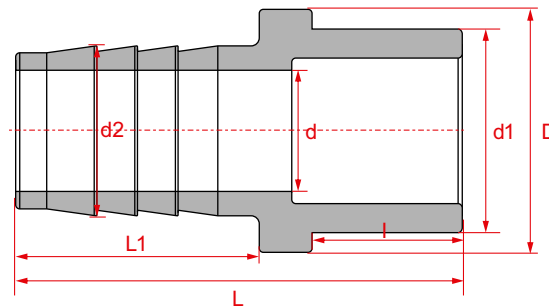
SIZE: DN15~DN25

CONNECTION: Spigot

MATERIAL: UPVC

STANDARD: DIN

COLOUR: Gray, White



Unit:mm

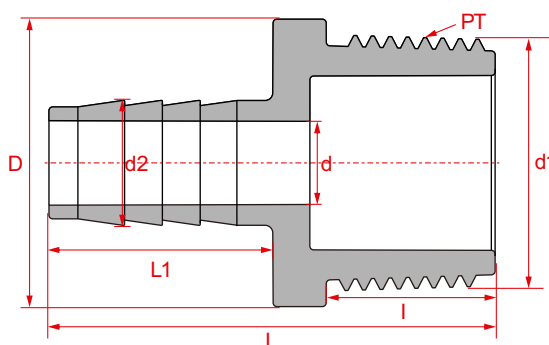
NOMINAL SIZE	STRUCTURE SIZE							PRESSURE	APPROX. WT.	PRODUCT CODE
	d1*d2	d1	d2	D	d	l	L			
20*12.5	20	12.5	25	7	16	52	30	10	10.3	203UD10G-20/12.5
20*16.5	20	16.5	25	11	16	52	30	10	11.2	203UD10G-20/16.5
20*21	20	21	25	15	16	52	30	10	12.8	203UD10G-20/21
25*12.5	25	12.5	30	7	18.5	55	30	10	14.3	203UD10G-25/12.5
25*16.5	25	16.5	30	11	18.5	55	30	10	15.2	203UD10G-25/16.5
25*21	25	21	30	15	18.5	55	30	10	16.7	203UD10G-25/21
25*26	25	26	30	18	18.5	60	35	10	21.9	203UD10G-25/26
32*12.5	32	12.5	38	7	22	59	30	10	20.7	203UD10G-32/12.5
32*16.5	32	16.5	38	11	22	59	30	10	21.8	203UD10G-32/16.5
32*21	32	21	38	15	22	59	30	10	23.4	203UD10G-32/21
32*26	32	26	38	19	22	64	35	10	27.2	203UD10G-32/26
32*33	32	33	38	23	22	67	37.8	10	36.8	203UD10G-32/33



MALE HOSE ADAPTER

SIZE: DN15~DN25, 1/2"~ 1"

- CONNECTION:** Thread
- MATERIAL:** UPVC
- STANDARD:** DIN
- COLOUR:** Gray, White



Unit:mm

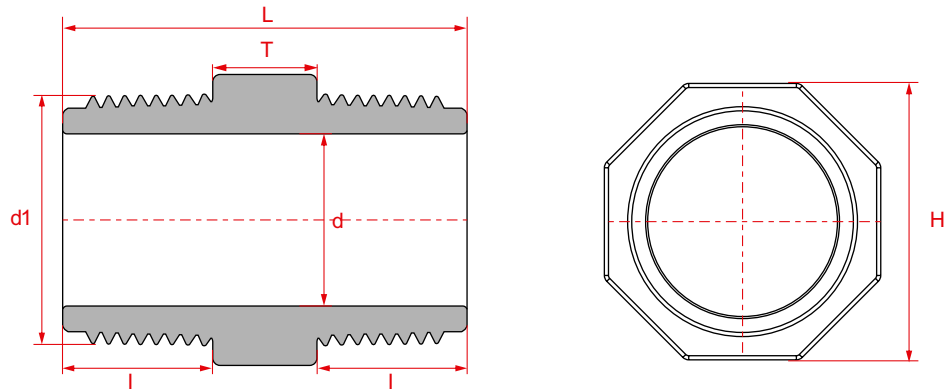
NOMINAL SIZE	STRUCTURE SIZE								PRESSURE	APPROX. WT.	PRODUCT CODE
d1*d2	d1	d2	D	d	l	L	L1	Thread	PN	g	Gray
1/2"*12.5	1/2"	12.5	26	7	16.2	52	29.8	PT	10	10.2	222UD10G-20P/12.5
1/2"*16.5	1/2"	16.5	26	11	16.2	52	29.8	PT	10	11.2	222UD10G-20P/16.5
1/2"*21	1/2"	21	26	13	16.2	52	29.8	PT	10	12.5	222UD10G-20P/21
3/4"*12.5	3/4"	12.5	32	7	18.8	55	29.7	PT	10	15.4	222UD10G-25P/12.5
3/4"*16.5	3/4"	16.5	32	11	18.8	55	29.7	PT	10	16.3	222UD10G-25P/16.5
3/4"*21	3/4"	21	32	15	18.8	55	29.7	PT	10	17.9	222UD10G-25P/21
3/4"*26	3/4"	26	32	18	18.8	60	34.7	PT	10	23	222UD10G-25P/26
1"*12.5	1"	12.5	38	7	22.3	59	29.6	PT	10	23.6	222UD10G-32P/12.5
1"*16.5	1"	16.5	38	11	22.3	59	29.6	PT	10	24.5	222UD10G-32P/16.5
1"*21	1"	21	38	15	22.3	59	29.6	PT	10	25.8	222UD10G-32P/21
1"*26	1"	26	38	19	22.3	64	34.6	PT	10	29.2	222UD10G-32P/26
1"*33	1"	33	38	23	22.3	67	37.6	PT	10	38.3	222UD10G-32P/33



NIPPLE

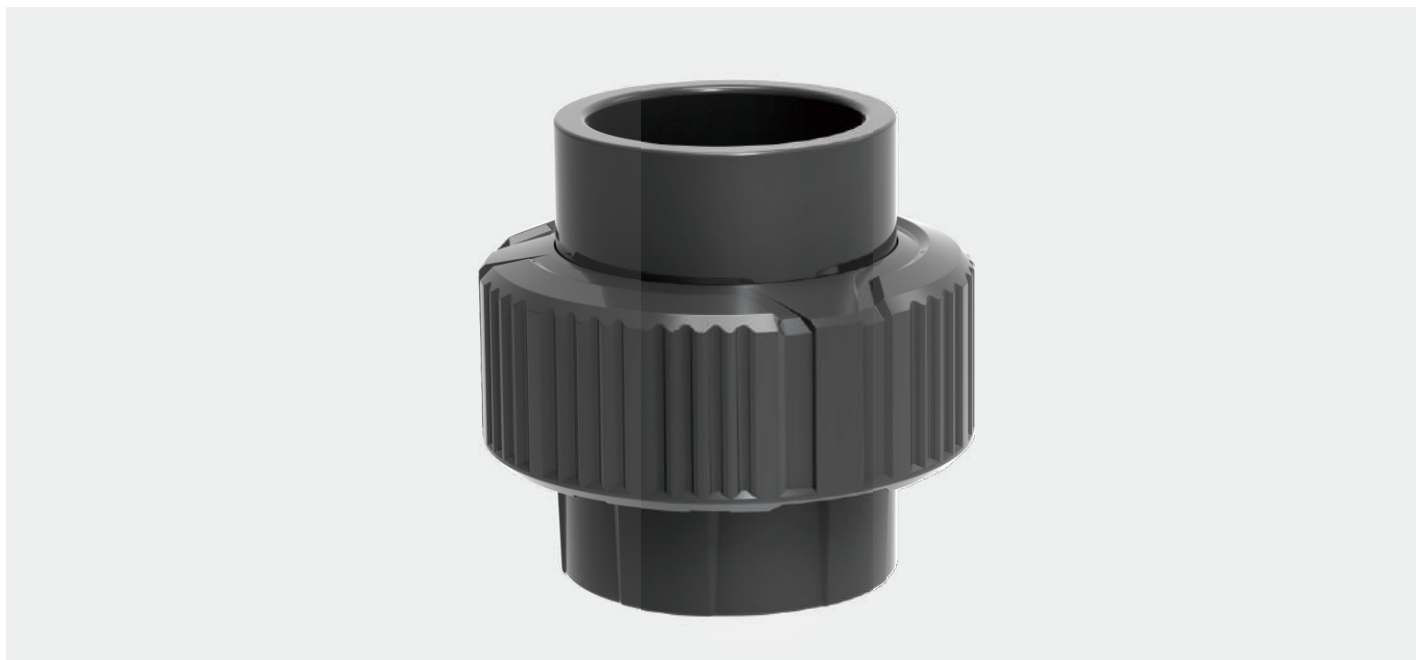
SIZE: DN10~DN50, 3/8"~2"

CONNECTION: Thread
MATERIAL: UPVC
STANDARD: DIN, ANSI
COLOUR: Gray



Unit:mm

NOMINAL SIZE		d1	d		l		L		H	T	PRESSURE	APPROX. WT.(g)		PRODUCT CODE
DN	Inch	PT/NPT	PT	NPT	PT	NPT	PT	NPT			PN	PT	NPT	PT Gray
DN10	3/8"	3/8"	11	11		12		32	18	8	16		6.1	212UA80G-16N
DN15	1/2"	1/2"	13	13	15	17	42	46	26	12	16	14.1	15.1	212UD16G-20P
DN20	3/4"	3/4"	18	18	16.3	17.5	44.6	47	32	12	16	20.7	21	212UD16G-25P
DN25	1"	1"	23	22	19.1	21	50.2	54	38	12	16	31.8	35.6	212UD16G-32P
DN32	1-1/4"	1-1/4"	31	31	21.5	22	58	59	48	15	16	53	53	212UD16G-40P
DN40	1-1/2"	1-1/2"	36	36	21.5	22	58	59	52	15	16	62.3	63.6	212UD16G-50P
DN50	2"	2"	46	46	25.7	23	66.4	61	67	15	16	108.2	104	212UD16G-63P



UNION

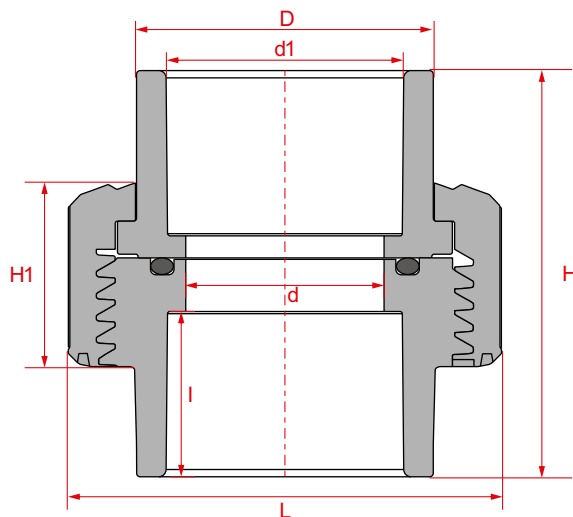
SIZE: DN15~DN50, 1/2"~2"

CONNECTION: Socket

MATERIAL: UPVC

STANDARD: DIN, ANSI SCH40

COLOUR: Gray



Unit:mm

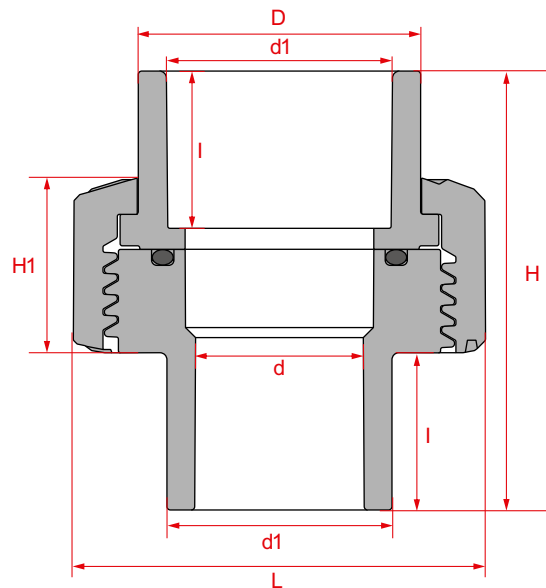
NOMINAL SIZE		d1		STRUCTURE SIZE						PRESSURE	APPROX. WT.(g)		PRODUCT CODE
DN	Inch	DIN	ANSI	D	d	l	L	H	H1	PN	DIN	ANSI	DIN Gray
DN15	1/2"	20	21.34	27	15	16.5	44.5	43.8	19.8	16	40.2	--	207UD16G-20E
DN20	3/4"	25	26.67	33	20	19	51	50	23	16	60.4	--	207UD16G-25E
DN25	1"	32	33.4	40.4	27	22.5	59	55.3	25	16	82.1	77.6	207UD16G-32E
DN32	1-1/4"	40	42.16	49.5	34	26.5	73	65	29	16	142	132.5	207UD16G-40E
DN40	1-1/2"	50	48.26	58.7	40	31.5	85	76.5	32.5	16	206	--	207UD16G-50E
DN50	2"	63	60.33	74.6	53	38	104	95	37	16	373.4	--	207UD16G-63E



SPIGOT UNION

SIZE: DN15~DN50

CONNECTION: Spigot
MATERIAL: UPVC
STANDARD: DIN
COLOUR: Gray



Unit:mm

NOMINAL SIZE	STRUCTURE SIZE							PRESSURE	APPROX. WT.	PRODUCT CODE
DN	d1	D	d	I	L	H	H1	PN	g	DIN
DN15	20	27	15	16.5	44.5	48.3	20.6	16		227UD16G-20E
DN20	25	33	18.5	19	51	55.4	22.9	16		227UD16G-25E
DN25	32	40.4	24	22.5	59	62.8	25	16		227UD16G-32E
DN32	40	49.5	32	26.5	73	73.5	28.9	16		227UD16G-40E
DN40	50	58.7	40	31.5	85	86	32.5	16		227UD16G-50E
DN50	63	74.6	52	38	104	104	37	16		227UD16G-63E



FEMALE UNION

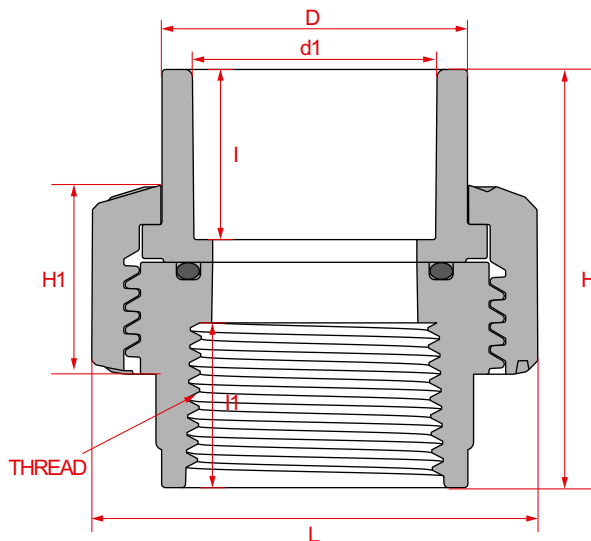
SIZE: DN15~DN50, 1/2"~2"

CONNECTION: Thread

MATERIAL: UPVC

STANDARD: DIN, ANSI SCH40

COLOUR: Gray



Unit:mm

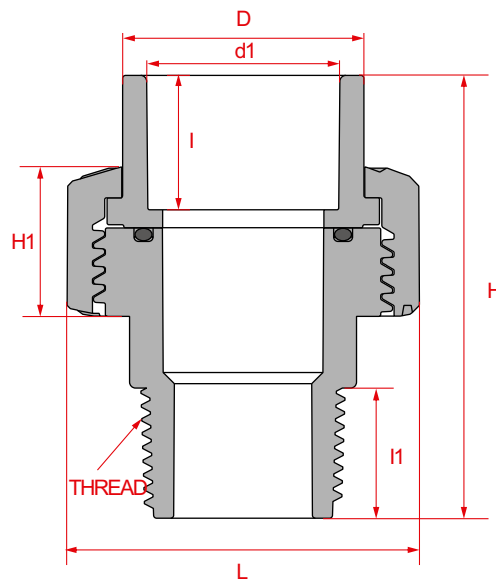
NOMINAL SIZE	d1		THREAD		STRUCTURE SIZE						PRESSURE	APPROX. WT.(g)		PRODUCT CODE
	DN	DIN	ANSI	PT	NPT	D	I	I1	L	H	H1	PN	DIN	
DN15	20	21.34	1/2"	1/2"	27	16.5	17.2	44.5	43.8	20.6	16			208UD16G-20EP
DN20	25	26.67	3/4"	3/4"	33	19	19.5	51	50	22.9	16			208UD16G-25EP
DN25	32	33.4	1"	1"	40.4	22.5	21.8	59	55.3	25	16			208UD16G-32EP
DN32	40	42.16	1-1/4"	1-1/4"	49.5	26.5	24	73	65	28.9	16			208UD16G-40EP
DN40	50	48.26	1-1/2"	1-1/2"	58.7	31.5	24	85	76.5	32.5	16			208UD16G-50EP
DN50	63	60.33	2"	2"	74.6	38	29	104	95	37	16			208UD16G-63EP



MALE UNION

SIZE: DN15~DN50, 1/2"~2"

CONNECTION: Thread
MATERIAL: UPVC
STANDARD: DIN, ANSI SCH40
COLOUR: Gray



Unit:mm

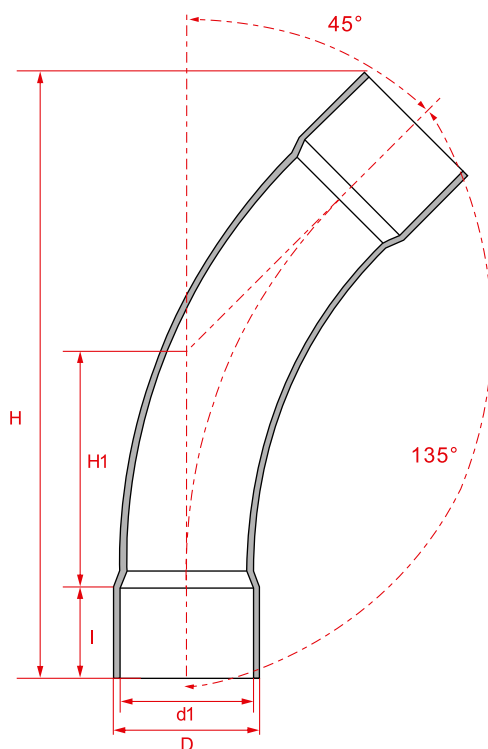
NOMINAL SIZE	d1		THREAD		STRUCTURE SIZE						PRESSURE	APPROX. WT.(g)		PRODUCT CODE
	DN	DIN	ANSI	PT	NPT	D	I	I1	L	H	H1	PN	DIN	
DN15	20	21.34	1/2"	1/2"	27	16.5	17.2	44.5	59	20.6	16			209UD16G-20EP
DN20	25	26.67	3/4"	3/4"	33	19	19.5	51	65.9	22.9	16			209UD16G-25EP
DN25	32	33.4	1"	1"	40.4	22.5	21.8	59	74	25	16			209UD16G-32EP
DN32	40	42.16	1-1/4"	1-1/4"	49.5	26.5	24	73	85	28.9	16			209UD16G-40EP
DN40	50	48.26	1-1/2"	1-1/2"	58.7	31.5	24	85	94.6	32.5	16			209UD16G-50EP
DN50	63	60.33	2"	2"	74.6	38	28.4	104	110.4	37	16			209UD16G-63EP



4D RADIUS BOCHT 45°

SIZE: DN50

CONNECTION: Socket
MATERIAL: UPVC
STANDARD: DIN
COLOUR: Gray



Unit:mm

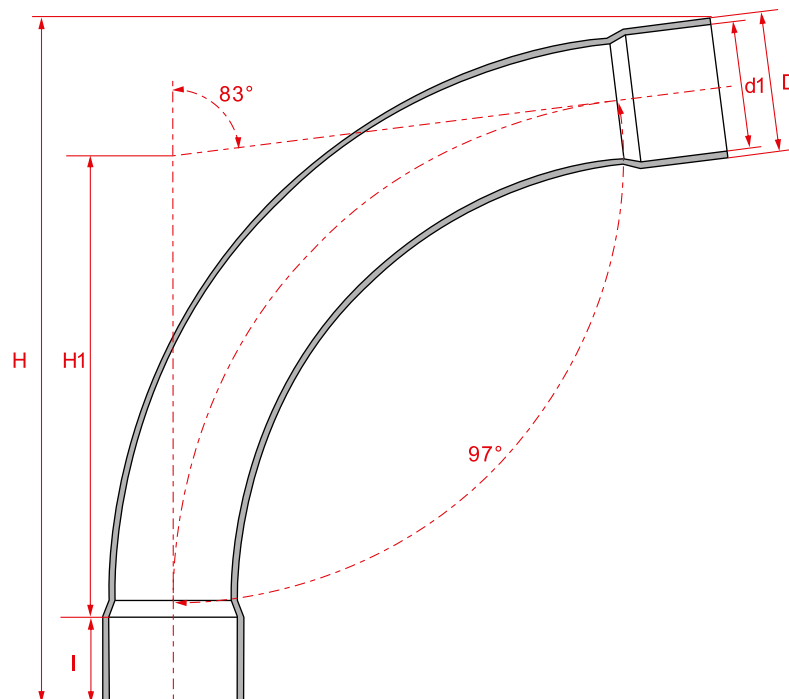
NOMINAL SIZE		STRUCTURE SIZE				PRESSURE	APPROX. WT.	PRODUCT CODE
DN	d1	D	I	H	H1	PN	g	
DN50	63	69.9	43	290	110	10	280.5	215UD10G-63



4D RADIUS BOCHT 83°

SIZE: DN50

CONNECTION: Socket
MATERIAL: UPVC
STANDARD: DIN
COLOUR: Gray



Unit:mm

NOMINAL SIZE		STRUCTURE SIZE				PRESSURE	APPROX. WT.	PRODUCT CODE
DN	d1	D	I	H	H1	PN	g	
DN50	63	69.9	43	370	227	10	287	214UD10G-63



4D RADIUS BOCHT 90°

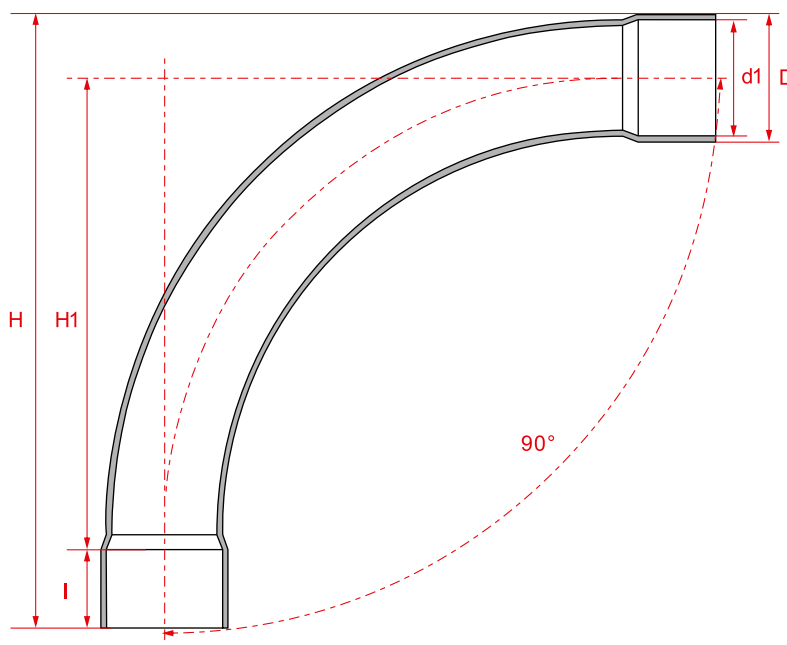
SIZE: DN50

CONNECTION: Socket

MATERIAL: UPVC

STANDARD: DIN

COLOUR: Gray



Unit:mm

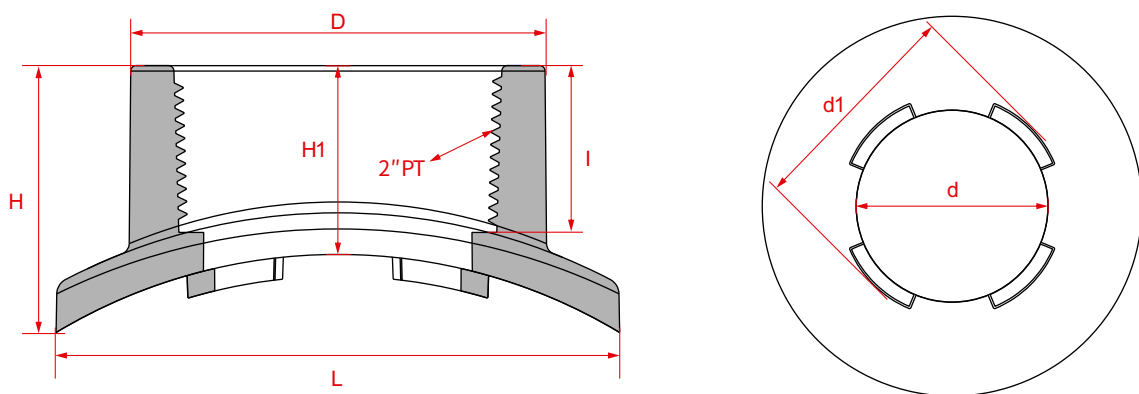
NOMINAL SIZE		STRUCTURE SIZE				PRESSURE	APPROX. WT.	PRODUCT CODE
DN	d1	D	I	H	H1	PN	g	
DN50	63	69.9	43	335	256	10	287	213UD10G-63



Female Sampling Header

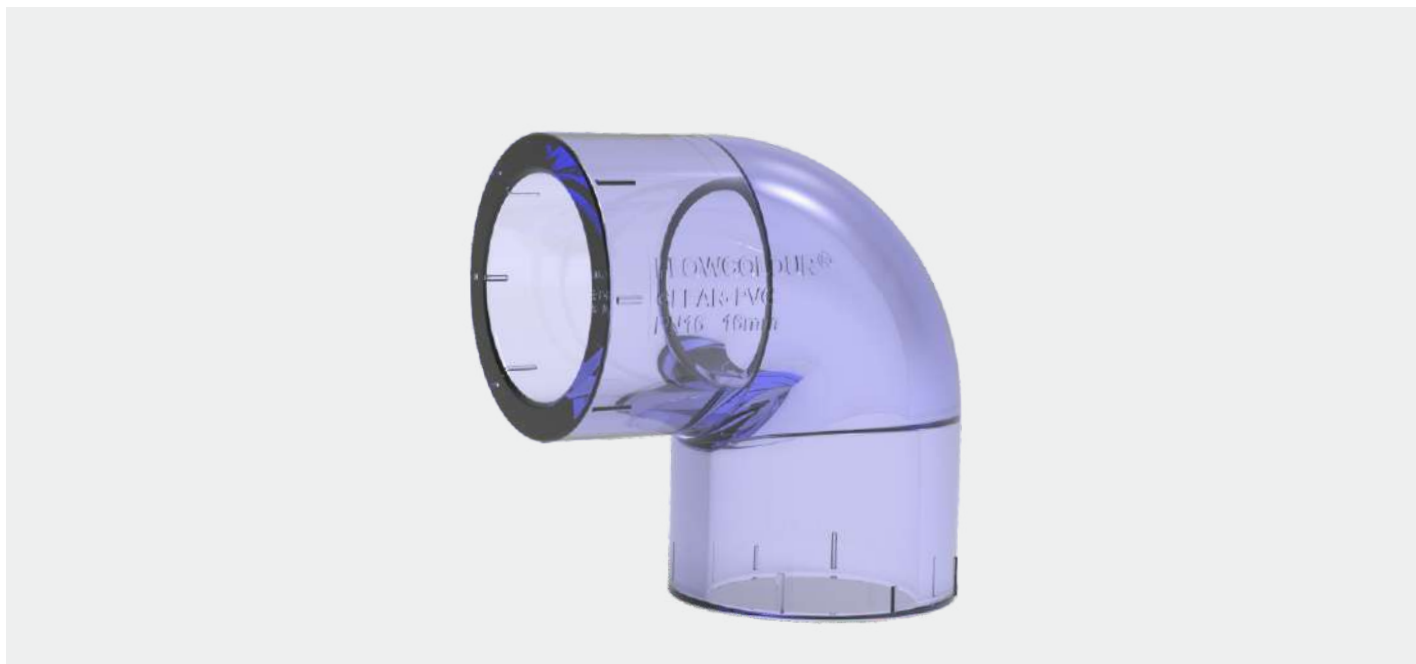
SIZE: 2"x200mm, 2"x250mm

CONNECTION: Thread
MATERIAL: UPVC
STANDARD: DIN
COLOUR: Gray



Unit:mm

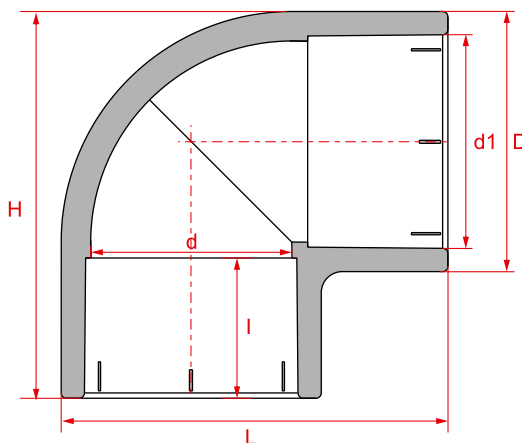
NOMINAL SIZE	STRUCTURE SIZE							PRESSURE	APPROX. WT.	PRODUCT CODE
	D	d1	d	I	L	H	H1			
2"x200mm	75.72	60	52	30.5	103	48.8	34.5	10	147	221UD10G-63P200
2"x250mm	75.72	55	49	30.5	103	45.6	35	10	147	221UD10G-63P250



90° ELBOW

SIZE: DN10~DN50

CONNECTION: Socket
MATERIAL: Clear-PVC
STANDARD: DIN
COLOUR: Clear



Unit:mm

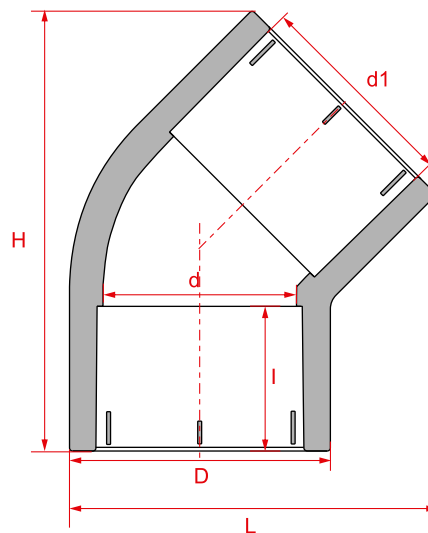
NOMINAL SIZE	STRUCTURE SIZE						PRESSURE	APPROX. WT.	PRODUCT CODE
DN	d1	D	d	I	L	H	PN	g	
DN10	16	22	14	14	35	35	16	18	216UD16T-16
DN15	20	27	19	16.5	42	42	16	24.5	216UD16T-20
DN20	25	33	24	19	50.5	50.5	16	37	216UD16T-25
DN25	32	40.5	30	22.5	61	61	16	58	216UD16T-32
DN32	40	49.1	38	26.5	73	73	16	89	216UD16T-40
DN40	50	61	46	31.5	87.5	87.5	16	151.5	216UD16T-50
DN50	63	75.1	60	38	108	108	16	259	216UD16T-63



45° ELBOW

SIZE: DN10~DN50

CONNECTION: Socket
MATERIAL: Clear-PVC
STANDARD: DIN
COLOUR: Clear



Unit:mm

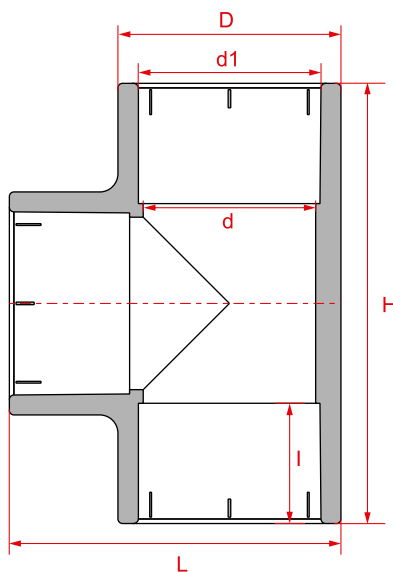
NOMINAL SIZE	STRUCTURE SIZE						PRESSURE	APPROX. WT.	PRODUCT CODE
	DN	d1	D	d	I	L			
DN10	16						16		217UD16T-16
DN15	20	27	19	16.5	39.3	48.7	16	17	217UD16T-20
DN20	25	33	24	19	46.7	58	16	29	217UD16T-25
DN25	32	40.5	30	22.5	56.5	68.1	16	44.5	217UD16T-32
DN32	40	49.1	38	26.5	68	81.2	16	83	217UD16T-40
DN40	50	61	46	31.5	82	96	16	121.6	217UD16T-50
DN50	63	75.1	60	38	101	118	16	215	217UD16T-63



TEE

SIZE: DN10~DN50

- CONNECTION:** Socket
- MATERIAL:** Clear-PVC
- STANDARD:** DIN
- COLOUR:** Clear



Unit:mm

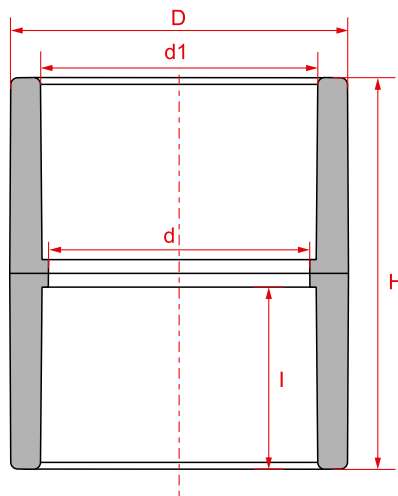
NOMINAL SIZE	STRUCTURE SIZE						PRESSURE	APPROX. WT.	PRODUCT CODE
DN	d1	D	d	I	L	H	PN	g	
DN10	16	22	14	14	35	48	16	15.2	218UD16T-16
DN15	20	27	19	16.5	42	57	16	31.5	218UD16T-20
DN20	25	33	24	19	50.5	68	16	43.5	218UD16T-25
DN25	32	40.5	30	22.5	60.8	81	16	69	218UD16T-32
DN32	40	49.1	38	26.5	73	97	16	111	218UD16T-40
DN40	50	61	46	31.5	87.5	114	16	196	218UD16T-50
DN50	63	75.1	60	38	109	142	16	336	218UD16T-63



COUPLING

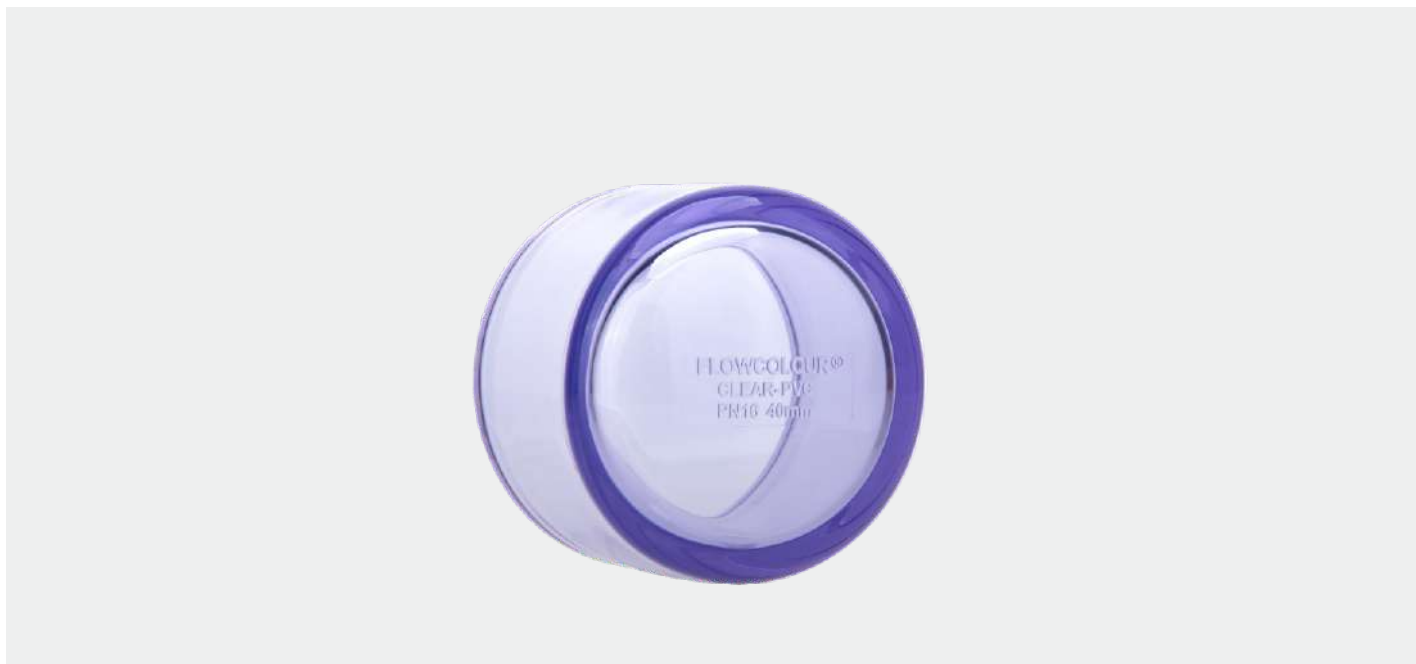
SIZE: DN10~DN50

CONNECTION: Socket
MATERIAL: Clear-PVC
STANDARD: DIN
COLOUR: Clear



Unit:mm

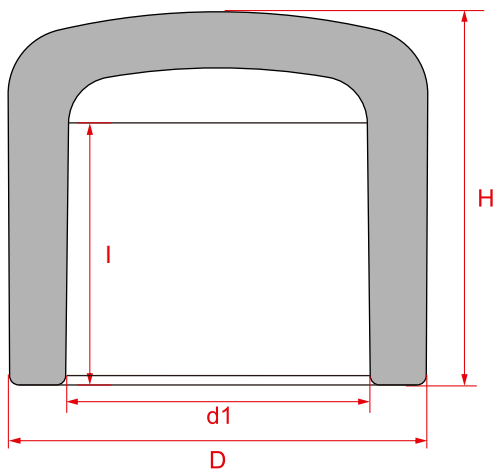
NOMINAL SIZE	STRUCTURE SIZE					PRESSURE	APPROX. WT.	PRODUCT CODE
	DN	d1	D	d	l			
DN10	16	22	14	14	31	16		219UD16T-16
DN15	20	27	16	16	35	16		219UD16T-20
DN20	25	33	21	19	41	16	21.3	219UD16T-25
DN25	32	41	28	22	48	16	35.4	219UD16T-32
DN32	40	49	38	26.5	57	16		219UD16T-40
DN40	50	61	45.2	31	67	16		219UD16T-50
DN50	63	75	57	38	81	16		219UD16T-63



CAP

SIZE: DN10~DN50

- CONNECTION:** Socket
- MATERIAL:** Clear-PVC
- STANDARD:** DIN
- COLOUR:** Clear



Unit:mm

NOMINAL SIZE	STRUCTURE SIZE				PRESSURE	APPROX. WT.	PRODUCT CODE
DN	d1	D	I	H	PN	g	
DN10	16	22.3	14	20	16		220UD16T-16
DN15	20	27.3	16	23.1	16		220UD16T-20
DN20	25	33.3	19	27.3	16		220UD16T-25
DN25	32	41.3	22	31.6	16		220UD16T-32
DN32	40	49.3	26	36.2	16	36.6	220UD16T-40
DN40	50	61.3	31	43.6	16	67	220UD16T-50
DN50	63	75.3	38	52.8	16	109.4	220UD16T-63



90° ELBOW

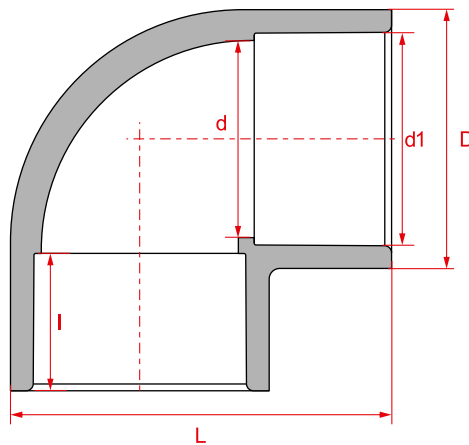
SIZE: DN15~DN40

CONNECTION: Socket

MATERIAL: PMMA

STANDARD: DIN

COLOUR: Transparent



Unit:mm

NOMINAL SIZE	STRUCTURE SIZE					PRESSURE	APPROX. WT.	PRODUCT CODE
DN	d1	D	d	I	L	PN	g	
DN15	20	25.9	19	16.5	41.4	10	14	602PMAD10T-20
DN20	25	31.7	24	19	49.9	10	29	602PMAD10T-25
DN25	32	39.5	30	22.5	60.3	10	40	602PMAD10T-32
DN32	40	48.3	38.5	26	71.1	10	68	602PMAD10T-40
DN40	50	59.4	48	31	86.7	10	120	602PMAD10T-50



45° ELBOW

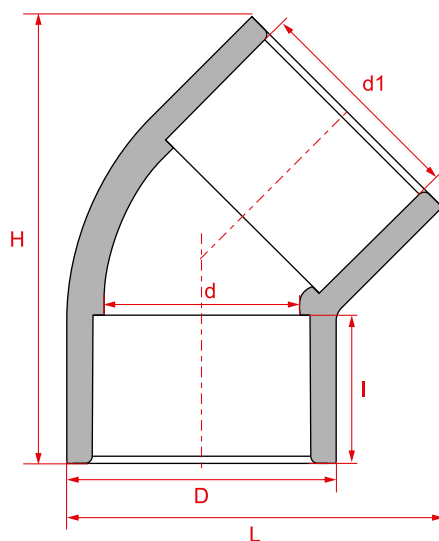
SIZE: DN15~DN40

CONNECTION: Socket

MATERIAL: PMMA

STANDARD: DIN

COLOUR: Transparent



Unit:mm

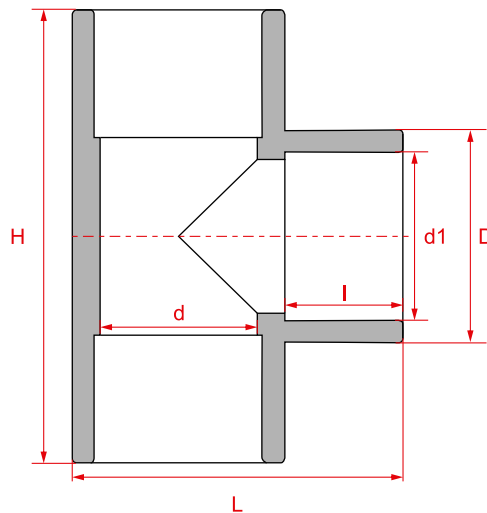
NOMINAL SIZE	STRUCTURE SIZE						PRESSURE	APPROX. WT.	PRODUCT CODE
DN	d1	D	d	l	L	H	PN	g	
DN15	20	25.9	19	16.5	38.2	48.1	10	13	603PMAD10T-20
DN20	25	31.7	24	19	45.9	57	10	20	603PMAD10T-25
DN25	32	39.5	30	22.5	56	67.9	10	34	603PMAD10T-32
DN32	40	--	--	--	--	--	10	--	603PMAD10T-40
DN40	50	--	--	--	--	--	10	--	603PMAD10T-50



TEE

SIZE: DN15~DN40

CONNECTION: Socket
MATERIAL: PMMA
STANDARD: DIN
COLOUR: Transparent



Unit:mm

NOMINAL SIZE	STRUCTURE SIZE						PRESSURE	APPROX. WT.	PRODUCT CODE
DN	d1	D	d	I	L	H	PN	g	
DN15	20	25.9	19	16.5	41.4	57	10	20	604PMAD10T-20
DN20	25	31.7	24	19	49.8	68	10	33	604PMAD10T-25
DN25	32	39.5	30	22.5	60.2	81	10	55	604PMAD10T-32
DN32	40	48.3	38.5	26	71.1	94	10	82	604PMAD10T-40
DN40	50	59.4	48	31	86.7	114	10	150	604PMAD10T-50



COUPLING

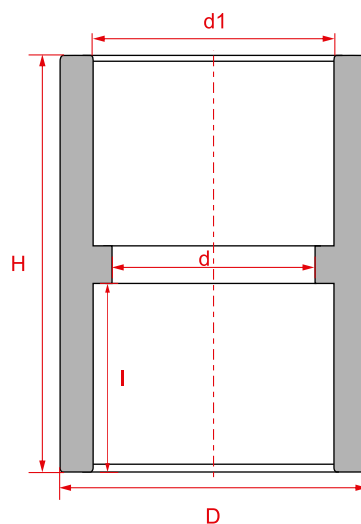
SIZE: DN15~DN40

CONNECTION: Socket

MATERIAL: PMMA

STANDARD: DIN

COLOUR: Transparent



Unit:mm

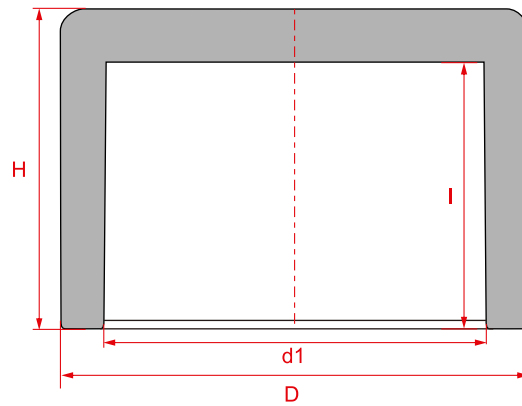
NOMINAL SIZE	STRUCTURE SIZE					PRESSURE	APPROX. WT.	PRODUCT CODE
DN	d1	D	d	I	H	PN	g	
DN15	20	25.9	19	16.5	35	10	10	605PMAD10T-20
DN20	25	31.7	24	19	40.5	10	15	605PMAD10T-25
DN25	32	39.5	30	22.5	47.5	10	24	605PMAD10T-32
DN32	40	48.3	38.5	26	55	10	42	605PMAD10T-40
DN40	50	59.4	48	31	65	10	66	605PMAD10T-50



CAP

SIZE: DN15~DN40

CONNECTION: Socket
MATERIAL: PMMA
STANDARD: DIN
COLOUR: Transparent



Unit:mm

NOMINAL SIZE	STRUCTURE SIZE				PRESSURE	APPROX. WT.	PRODUCT CODE
DN	d1	D	I	H	PN	g	
DN15	20	25.9	16.5	19.7	10	7	606PMAD10T-20
DN20	25	31.7	19	22.5	10	11	606PMAD10T-25
DN25	32	39.5	22.5	27	10	18	606PMAD10T-32
DN32	40	--	--	--	10	--	606PMAD10T-40
DN40	50	--	--	--	10	--	606PMAD10T-50



TRIANGULAR SWEEPER

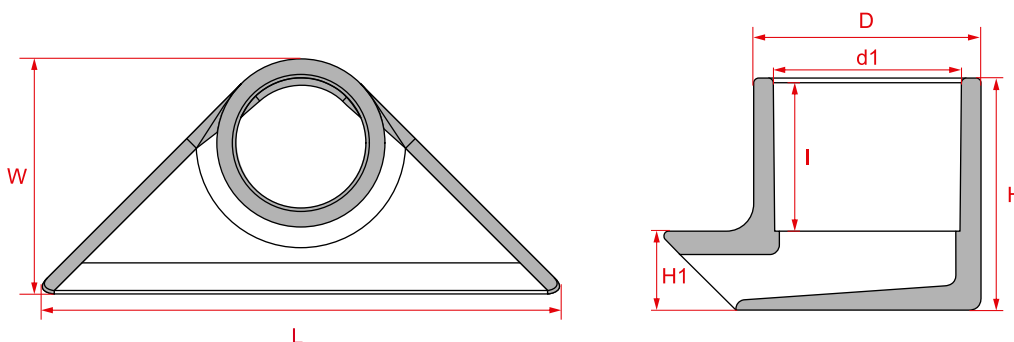
SIZE: DN15~DN25

CONNECTION: Socket

MATERIAL: PMMA

STANDARD: DIN

COLOUR: Transparent



Unit:mm

NOMINAL SIZE	STRUCTURE SIZE							APPROX. WT.	PRODUCT CODE
DN	d1	D	I	L	W	H	H1	g	
DN15	20	24.5	16.5	75.2	34.2	25	8.5	10.2	601PMAD00T-20
DN20	25	29.5	19	97.8	44.6	29	10	15.4	601PMAD00T-25
DN25	32	37	22.5	121	54.8	34.5	12	28.1	601PMAD00T-32



MALE ADAPTER

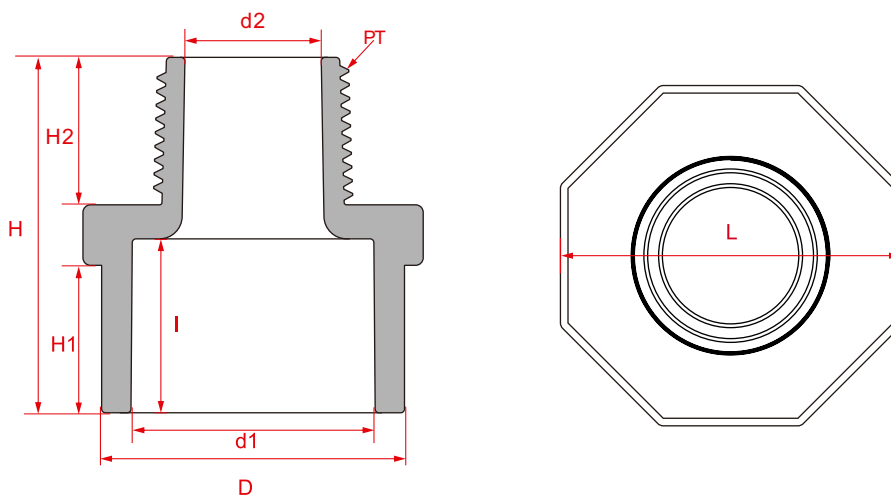
SIZE: 20mm*3/4", 32mm*3/4", 50mm*1-1/2"

CONNECTION: Socket, Thread

MATERIAL: PMMA

STANDARD: DIN

COLOUR: Transparent



Unit:mm

NOMINAL SIZE	STRUCTURE SIZE									PRESSURE	APPROX. WT.	PRODUCT CODE
d1*PT	d1	D	d2	I	L	H	H1	H2	PT	PN	g	
20mm*3/4"	20	25	18	16.5	30	46.5	19	19.5	3/4"	16	13.6	224PMAD16T-25P/20
32mm*3/4"	32	40	18	22.5	45	47	19.5	19.5	3/4"	16	26.4	224PMAD16T-25P/32
50mm*1-1/2"	50	63	37.2	32.5	64	63	29	24	1-1/2"	16	75.9	224PMAD16T-50P/50



Nut

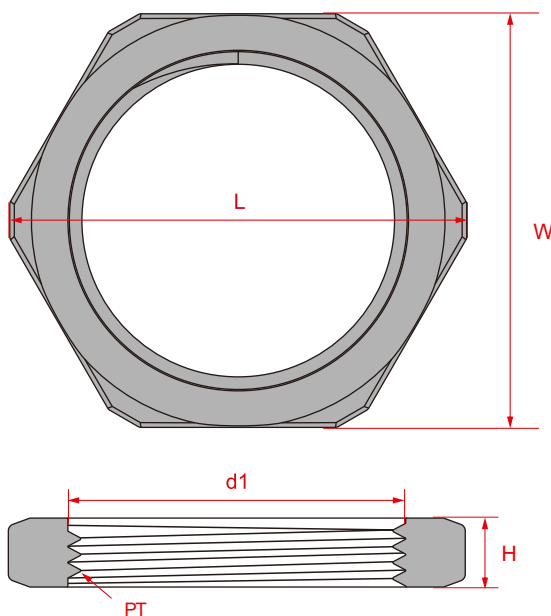
SIZE: 3/4", 1-1/2"

CONNECTION: Thread

MATERIAL: PC

STANDARD: DIN

COLOUR: Transparent



Unit:mm

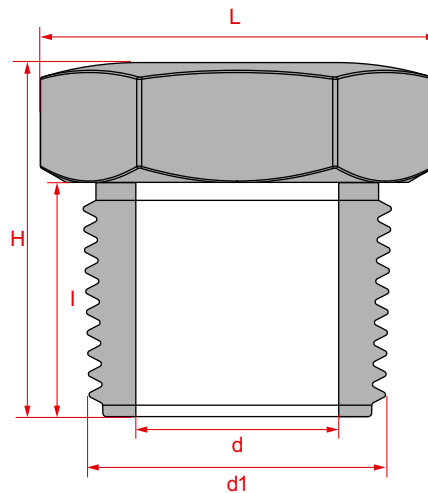
NOMINAL SIZE	STRUCTURE SIZE					APPROX. WT. g	PRODUCT CODE
	d1	L	H	W	Thread		
3/4"	26.6	36	7	33	3/4"	3.4	618PCD00T-25
1-1/2"	49	66.3	10	60	1-1/2"	16.5	618PCD00T-50



MALE CAP

SIZE: DN15~DN50

CONNECTION: Thread
MATERIAL: PP
STANDARD: DIN
COLOUR: Gray



Unit:mm

NOMINAL SIZE	STRUCTURE SIZE						PRESSURE	APPROX. WT.	PRODUCT CODE
DN	d1	d	I	L	H	Thread	PN	g	
DN15	1/2"	13	18.5	28.7	29	PT	10	7	206PD10G-20P
DN20	3/4"	18	20.5	34.5	31	PT	10	10	206PD10G-25P
DN25	1"	23	22.5	42.2	33	PT	10	16	206PD10G-32P
DN32	1-1/4"	--	--	--	--	PT	10	--	206PD10G-40P
DN40	1-1/2"	--	--	--	--	PT	10	--	206PD10G-50P
DN50	2"	--	--	--	--	PT	10	--	206PD10G-63P



SAMPLING VALVE

SIZE: 1/4", 3/8", 1/2"

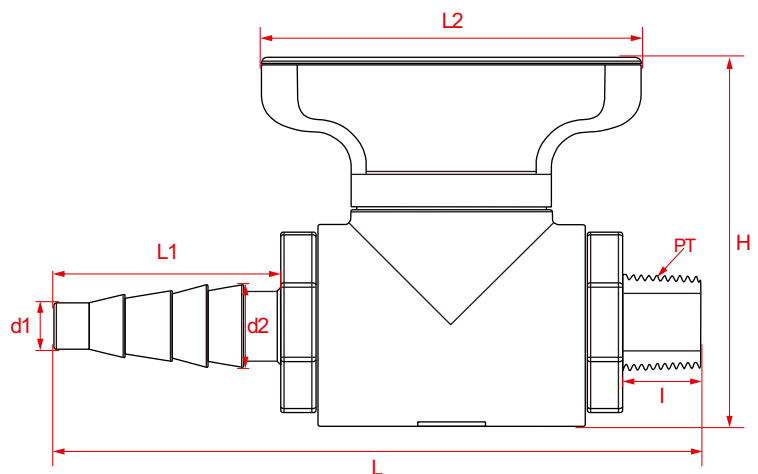
CONNECTION: Thread PT

MATERIAL: UPVC, ABS

STANDARD: DIN

COLOUR: Gray

CONSTRUCTION			
ITEM	PART	QTY	MATERIAL
1	Stem nut	1	UPVC
2	Hand wheel	1	PP
3/5	Gasket	2	POM
4	Small nut	1	UPVC
6	Big nut	1	UPVC
7	Body	1	UPVC
8	O-ring	3	EPDM/VITON



Unit:mm

NOMINAL SIZE	STRUCTURE SIZE							PRESSURE	APPROX. WT.	PRODUCT CODE
THREAD PT	d1	d2	I	L	L1	L2	H	PN	g	DIN EPDM
8mm*1/4"	8	14	11	109.2	38	64.2	63.5	10	73.3	302UD10G-8EP8
8mm*3/8"	8	14	13.6	111.5	37.5	64.2	63.5	10	74	302UD10G-10EP8
8mm*1/2"	8	14	17	115.3	38	64.2	63.5	10	75.4	302UD10G-20EP8
12mm*3/8"	12	--	--	--	--	--	--	10	--	302UD10G-10EP12
12mm*1/2"	12	--	--	--	--	--	--	10	--	302UD10G-20EP12

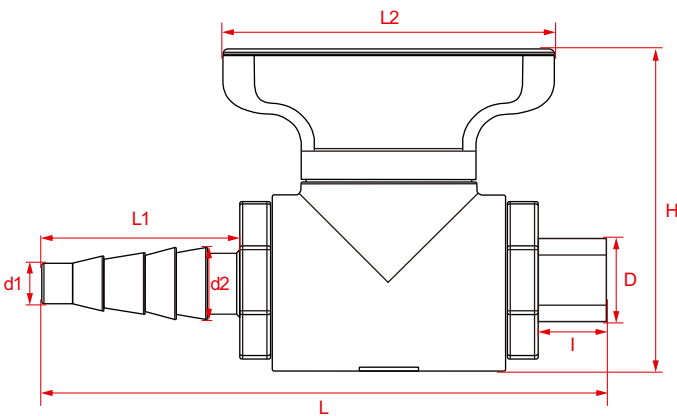


SAMPLING VALVE

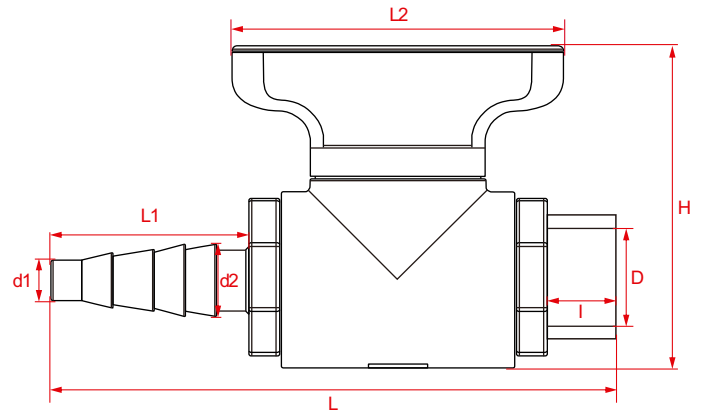
SIZE: 8mm*20mm, 12mm*20mm

CONNECTION: Socket, Spigot
MATERIAL: UPVC, ABS
STANDARD: DIN
COLOUR: Gray

CONSTRUCTION			
ITEM	PART	QTY	MATERIAL
1	Stem nut	1	UPVC
2	Hand wheel	1	PP
3/5	Gasket	2	POM
4	Small nut	1	UPVC
6	Big nut	1	UPVC
7	Body	1	UPVC
8	O-ring	3	EPDM/VITON



Pic.1



Pic.2

Unit:mm

NOMINAL SIZE	STRUCTURE SIZE								PRESSURE	APPROX. WT.	PRODUCT CODE	
d1*D	d1	d2	D	I	L	L1	L2	H	RD	PN	g	DIN EPDM
8mm*20mm(spigot)	8	14	20	19.5	118	38	64.2	63.5	Pic.1	10	83.4	302UD10G-20E8SPG
8mm*20mm(socket)	8	14	20	22.5	121	38	64.2	63.5	Pic.2	10	76.8	302UD10G-20E8
12mm*20mm(spigot)	12	--	20	--	--	--	--	--	Pic.1	10	--	302UD10G-20E12SPG
12mm*20mm(socket)	12	--	20	--	--	--	--	--	Pic.2	10	--	302UD10G-20E12

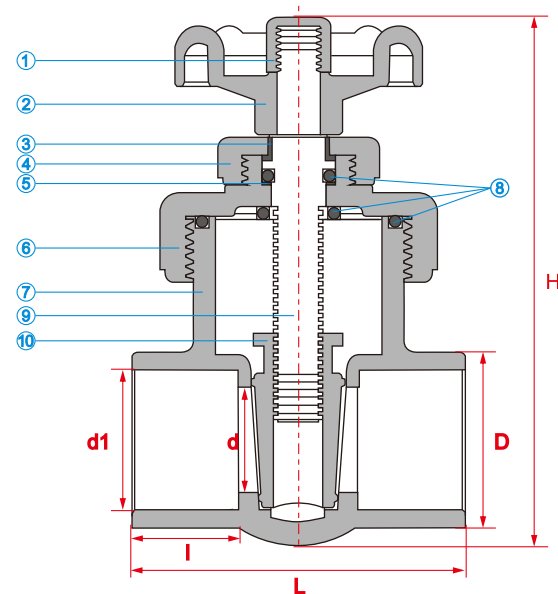


GATE VALVE

SIZE: DN20~DN50, 1/2" ~ 2"

CONNECTION: Socket
MATERIAL: UPVC
STANDARD: DIN, ANSI
COLOUR: Gray, White

CONSTRUCTION			
ITEM	PART	QTY	MATERIAL
1	Stem nut	1	UPVC
2	Hand wheel	1	PP
3/5	Gasket	2	POM
4	Small nut	1	UPVC
6	Big nut	1	UPVC
7	Body	1	UPVC
8	O-ring	3	EPDM/VITON
9	Stem	1	UPVC
10	Disc	1	PP/PVDF



Unit:mm

NOMINAL SIZE		d1		STRUCTURE SIZE					PRESSURE	APPROX. WT.	PRODUCT CODE
DN	ANSI	DIN	ANSI	D	d	l	L	H	PN	g	DIN Gray
DN15	1/2"	20	21.34	30	15	20	72	126	16	255	301UD16G-20E
DN20	3/4"	25	26.67	37	20	22	72	126	16	250	301UD16G-25E
DN25	1"	32	33.4	44	25	29	94	159.5	16	440	301UD16G-32E
DN32	1-1/4"	40	42.16	53	32	33	100	159.5	16	473	301UD16G-40E
DN40	1-1/2"	50	48.26	62	40	35	114	197	16	640	301UD16G-50E
DN50	2"	63	60.33	76	50	38	120	217	16	911	301UD16G-63E

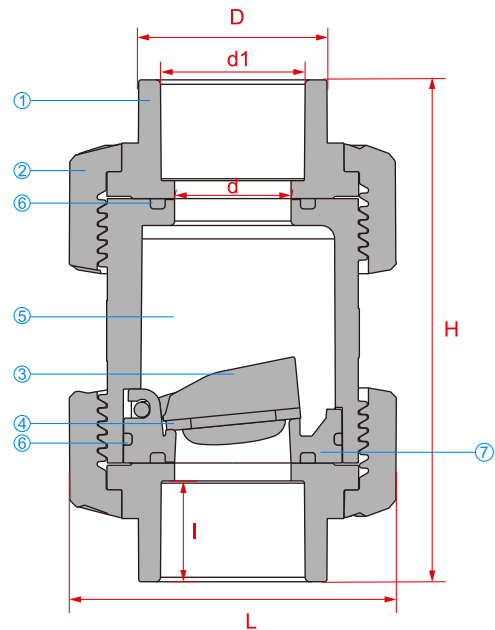


SWING CHECK VALVE

SIZE: DN15~DN40

- CONNECTION:** Socket
- MATERIAL:** UPVC, CPVC, Clear-PVC
- STANDARD:** DIN, ANSI
- COLOUR:** Gray+Clear, White+Clear

CONSTRUCTION			
ITEM	PART	QTY	MATERIAL
1	Adapter	2	UPVC
2	Nut	2	UPVC
3	Swing	1	UPVC
4	Gasket	1	EPDM
5	Body	1	UPVC
6	O-ring	3	EPDM
7	Seat	1	UPVC



Unit:mm

NOMINAL SIZE		d1		STRUCTURE SIZE					PRESSURE	APPROX. WT.	PRODUCT CODE
DN	ANSI	DIN	ANSI	D	d	I	L	H	PN	g	Gray+Clear
DN15	1/2"	20	21.34	27	15	16.5	44.5	82	10		303UD10G-20E
DN20	3/4"	25	26.67	34	20	19	59	96	10	173	303UD10G-25E
DN25	1"	32	33.4	42	26	22.5	73	112	10	290	303UD10G-32E
DN32	1-1/4"								10		303UD10G-40E
DN40	1-1/2"								10		303UD10G-50E



SPRING CHECK VALVE

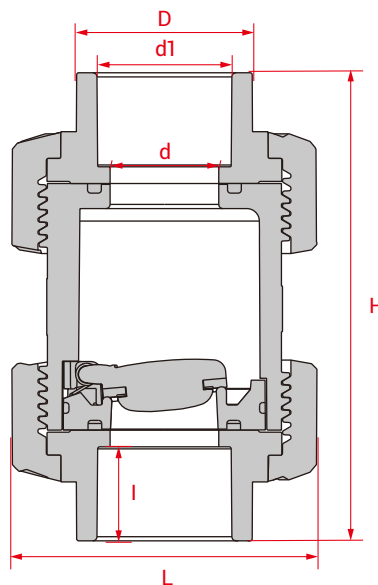
SIZE: DN15~DN25, 1/2"~ 1"

CONNECTION: Socket

MATERIAL: UPVC, CPVC, Clear-PVC

STANDARD: DIN, ANSI

COLOUR: Gray+Clear, White+Clear



Unit:mm

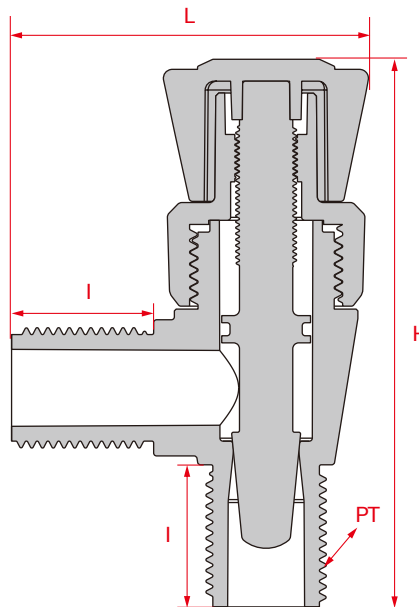
NOMINAL SIZE		d1		STRUCTURE SIZE					PRESSURE	APPROX. WT.	PRODUCT CODE
DN	ANSI	DIN	ANSI	D	d	I	L	H	PN	g	Gray
DN15	1/2"	20	21.34	27	15	16.5	44.5	82	10		304UD10G-20E
DN20	3/4"	25	26.67	34	20	19	59	96	10		304UD10G-25E
DN25	1"	32	33.4	42	26	22.5	73	112	10		304UD10G-30E



ANGLE VALVE

SIZE: 1/2" , 3/4"

- CONNECTION:** Thread
- MATERIAL:** UPVC
- STANDARD:** DIN
- COLOUR:** Gray



Unit:mm

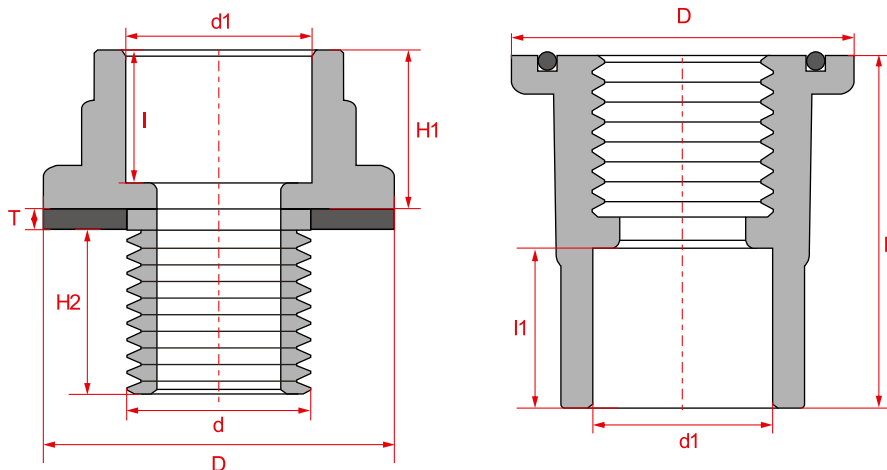
NOMINAL SIZE	STRUCTURE SIZE				PRESSURE	APPROX. WT.	PRODUCT CODE
DN	I	L	H	PT	PN	g	
1/2"	24	60.3	92.5	1/2"	16		305UD10G-20EG
3/4"	24	64.8	107	3/4"	16		305UD10G-25EG



BULKHEAD

SIZE: DN15~DN40, 1/2"~1-1/2"

- CONNECTION:** Socket
- MATERIAL:** UPVC
- STANDARD:** DIN, ANSI
- COLOUR:** Gray, White
- SEAL:** Silica



Unit:mm

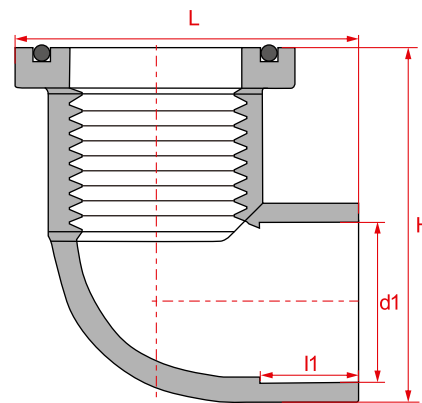
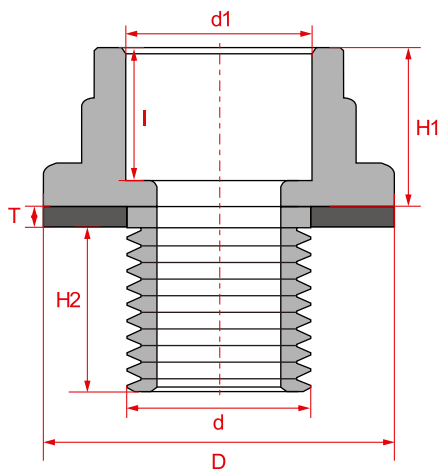
NOMINAL SIZE		d1		STRUCTURE SIZE								PRESSURE	HOLE SIZE	CLAMPING THICKNESS	APPROX. WT.	PRODUCT CODE
DN	ANSI	DIN	ANSI	D	d	I	I1	H	H1	H2	T	PN			g	DIN Gray
DN15	1/2"	20	21.34	38	20	18.2	18.8	43	22	23	3.0	10	20-23	5-12	47	609UD10G-20S
DN20	3/4"	25	26.67	45	25	18.8	19.9	52	22	33	3.0	10	25-28	6-24	73	609UD10G-25S
DN25	1"	32	33.40	52	32	18.3	19.2	53	22	36	3.0	10	32-35	8-24	94	609UD10G-32S
DN32	1-1/4"	40	42.16	60	40	20.3	20.2	56	23	37	3.0	10	40-43	8-24	126	609UD10G-40S
DN40	1-1/2"	50	48.26	70	50	21.8	22.4	60	29	37	3.0	10	50-53	0-24	167	609UD10G-50S



ELBOW BULKHEAD

SIZE: DN15~DN25

- CONNECTION:** Socket
- MATERIAL:** UPVC
- STANDARD:** DIN
- COLOUR:** Gray, White
- SEAL:** Silica



Unit:mm

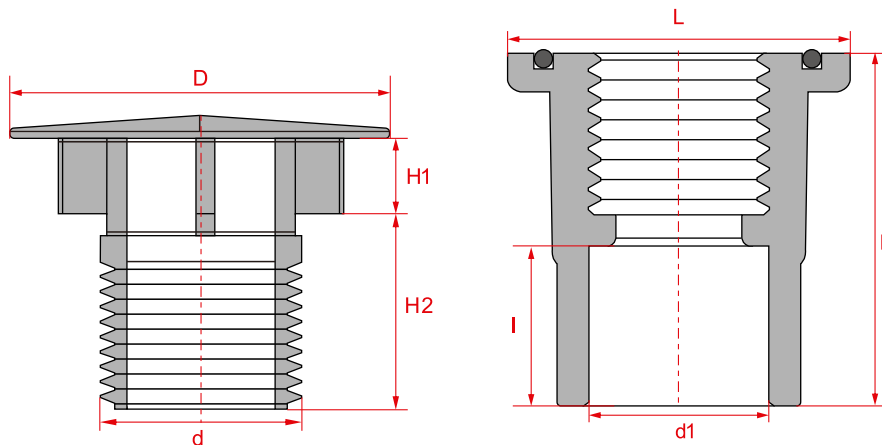
NOMINAL SIZE	STRUCTURE SIZE										PRESSURE	HOLE SIZE	CLAMPING THICKNESS	APPROX. WT.	PRODUCT CODE
DN	d1	D	d	I	I1	L	H	H1	H2	T	PN			g	Gray
DN15	20	38	20	18.2	16.5	49	38	22	23	3.0	10	20-23	8-17	53	610UD10G-20S
DN20	25	45	25	18.8	19.2	56	60	22	33	3.0	10	25-28	5-25	85	610UD10G-25S
DN25	32	52	32	18.3	22.5	66	70	22	36	3.0	10	32-35	5-25	122	610UD10G-32S



FORCE DRAIN

SIZE: DN15~DN25, 1/2"~1"

- CONNECTION:** Socket
- MATERIAL:** UPVC
- STANDARD:** DIN, ANSI
- COLOUR:** Gray, White
- SEAL:** Silica



Unit:mm

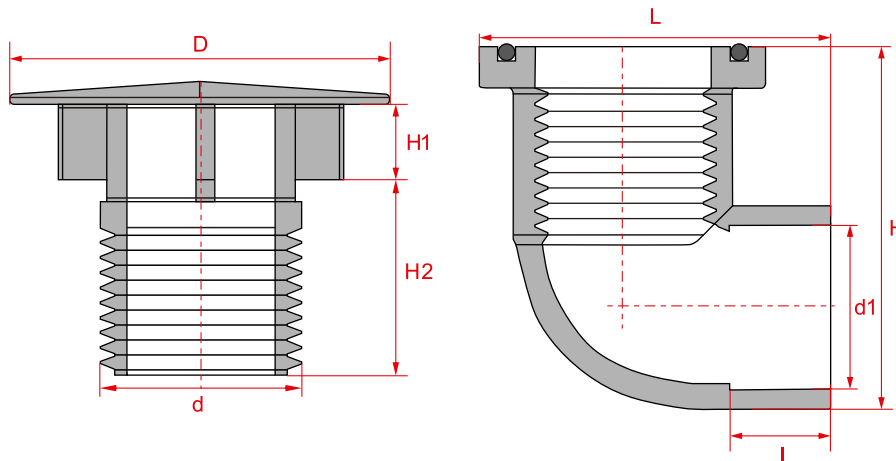
NOMINAL SIZE		d1		STRUCTURE SIZE							PRESSURE	HOLE SIZE	CLAMPING THICKNESS	APPROX. WT.	PRODUCT CODE
DN	ANSI	DIN	ANSI	d	D	I	L	H	H1	H2	PN			g	DIN Gray
DN15	1/2"	20	21.34	20	38	18.8	33	43	6	22	10	20-23	7-12	33	611UD10G-20S
DN20	3/4"	25	26.67	25	45	19.9	45	52	9	38	10	25-28	8-25	58	611UD10G-25S
DN25	1"	32	33.40	32	52	19.2	52	53	12	38	10	32-35	10-30	77	611UD10G-32S



ELBOW FORCE DRAIN

SIZE: DN15~DN25

- CONNECTION:** Socket
- MATERIAL:** UPVC
- STANDARD:** DIN
- COLOUR:** Gray, White
- SEAL:** Silica



Unit:mm

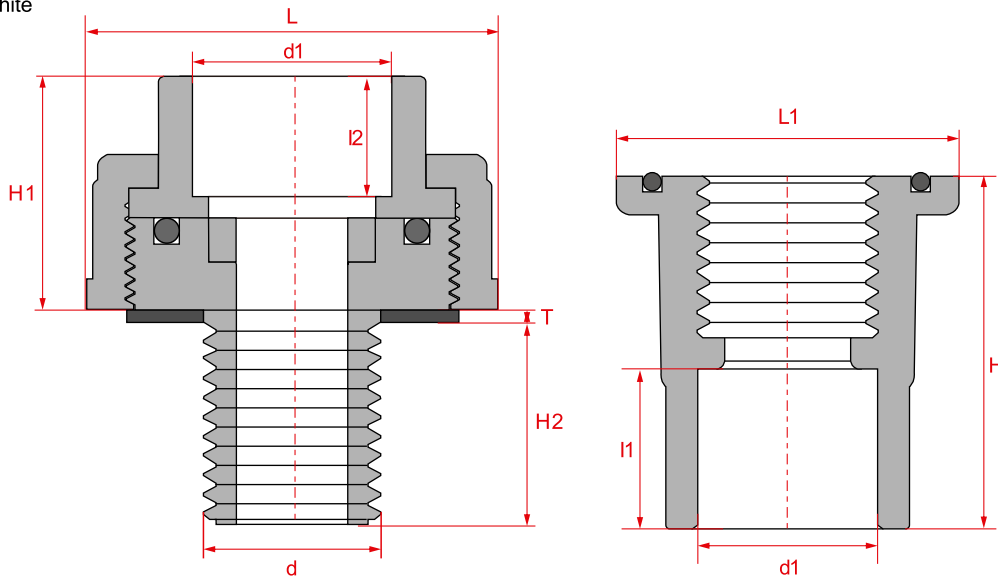
NOMINAL SIZE	STRUCTURE SIZE								PRESSURE	HOLE SIZE	CLAMPING THICKNESS	APPROX. WT.	PRODUCT CODE
DN	d1	D	d	I	L	H	H1	H2	PN			g	Gray
DN15	20	38	20	16.5	49	38	6	22	10	20-23	7-12	39	612UD10G-20S
DN20	25	45	25	19.2	56	60	9	38	10	25-28	8-25	70	612UD10G-25S
DN25	32	52	32	22.5	66	70	12	38	10	32-35	10-30	105	612UD10G-32S



QUICK BULKHEAD

SIZE: DN20~DN40

- CONNECTION:** Socket
- MATERIAL:** UPVC
- STANDARD:** DIN
- COLOUR:** Gray, White
- SEAL:** Silica



Unit:mm

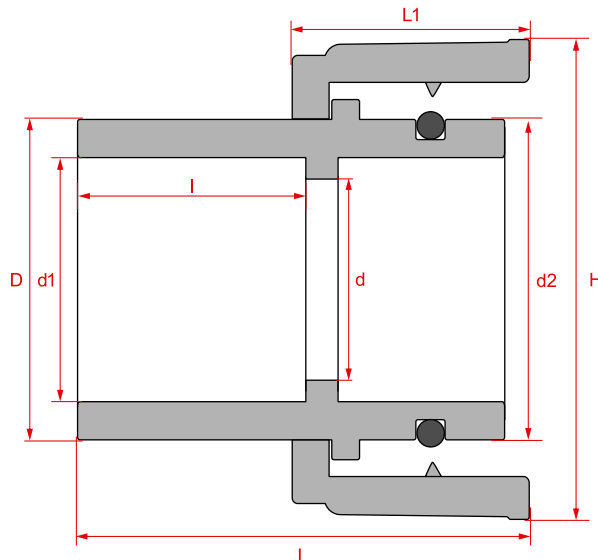
NOMINAL SIZE	STRUCTURE SIZE										PRESSURE	HOLE SIZE	CLAMPING THICKNESS	APPROX. WT.	PRODUCT CODE
	DN	d1	d	l1	l2	L	L1	H	H1	H2					
DN20	25	25	19.9	18	53	45	52	36	33	3.0	10	25-28	5-25	112	613UD10G-25S
DN25	32	32	19.2	22	62	52	53	42	36	3.0	10	32-35	7-28	151	613UD10G-32S
DN32	40	40	20.2	25	75	60	56	48	36	3.0	10	40-43	7-28	226	613UD10G-40S
DN40	50	50	22.4	31	85	70	60	55	36	3.0	10	50-53	0-28	295	613UD10G-50S



UNION CONNECTOR

SIZE: 25mm*32mm

CONNECTION: Spigot, Socket
MATERIAL: UPVC
STANDARD: DIN
COLOUR: Gray
SEAL: EPDM



Unit:mm

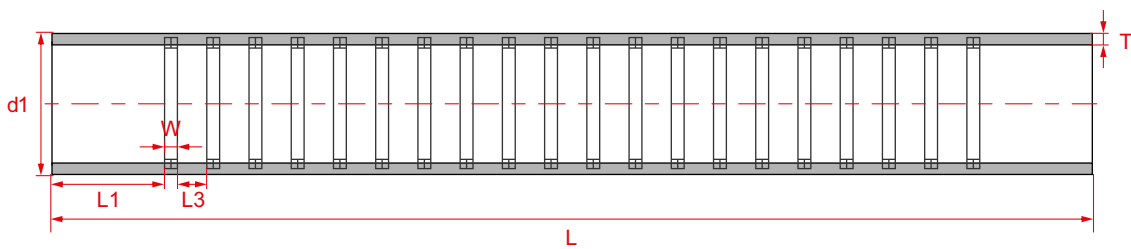
NOMINAL SIZE		STRUCTURE SIZE							PRESSURE	APPROX. WT.	PRODUCT CODE
d1*D	d1	d2	D	d	l	L	L1	H	PN	g	
25*32	25	31.9	32	21	23	42	21	48	10	36	608UD10G-25E



RAIN PIPE

SIZE: DN15~DN40

- MATERIAL:** UPVC
- STANDARD:** DIN
- COLOUR:** Gray, Red, Blue, Orange



Unit:mm

NOMINAL SIZE	STRUCTURE SIZE						PRESSURE	APPROX. WT.	PRODUCT CODE
DN	d1	L	L1	L3	W	T	PN	g	Gray
DN15	20	320	30	10	4	2.0	10	58.6	614UD10G-20
DN20	25	320	30	10	4	2.0	10	74.0	614UD10G-25
DN25	32	320	30	10	4	2.0	10	98.3	614UD10G-32
DN32	40	320	30	10	4	2.0	10	126.2	614UD10G-40
DN40	50	320	30	10	4	2.4	10	180.5	614UD10G-50



DOUBLE END ROTATING WATER OUTLET

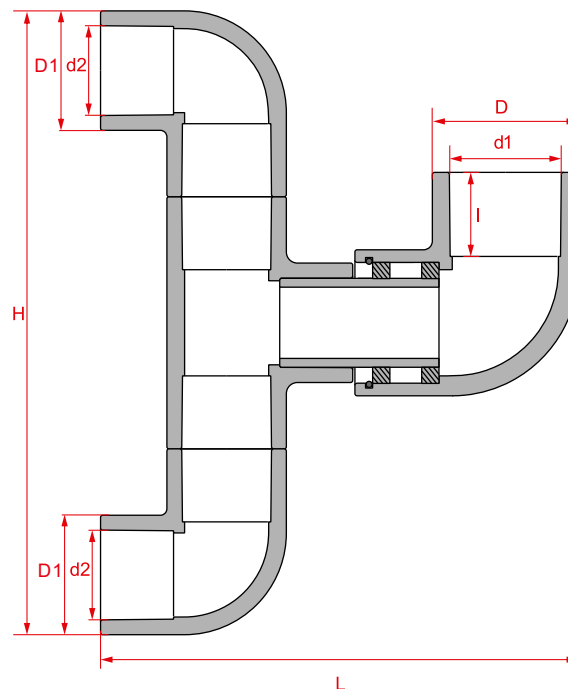
SIZE: DN20, DN25

CONNECTION: Socket

MATERIAL: UPVC

STANDARD: DIN

COLOUR: GRAY



Unit:mm

NOMINAL SIZE	STRUCTURE SIZE							APPROX. WT.	PRODUCT CODE
DN	d1	d2	D	D1	I	L	H	g	
DN20	25	20	33	27	19	108	141	118	617UD00G-25
DN25	32	25	40.5	33	22.5	128.3	169	192.5	617UD00G-32



OUTLET CONNECTOR

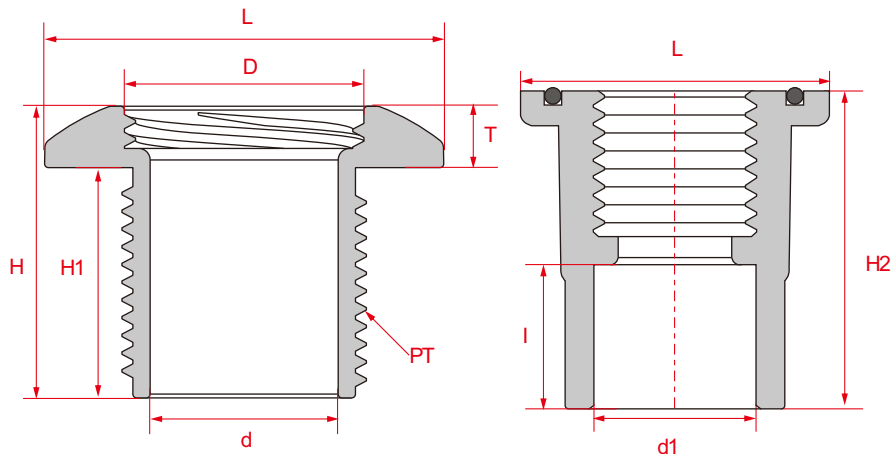
SIZE: DN15~DN25, 1/2"~ 1"

CONNECTION: Thread, Socket

MATERIAL: UPVC

STANDARD: DIN, ANSI

COLOUR: Black



Unit:mm

NOMINAL SIZE		d1		STRUCTURE SIZE									PRESSURE	HOLE SIZE	CLAMPING THICKNESS	APPROX. WT.	PRODUCT CODE
DN	ANSI	DIN	ANSI	d	D	l	L	H	H1	H2	T	PT	PN			g	
DN15	1/2"	20	21.34	14	18	18.8	38	27.5	20	43	7.5	1/2"	10	20-23	0-12	33.5	619UD10B-20
DN20	3/4"	25	26.67	18.5	24	19.9	45	37.9	30	52	7.9	3/4"	10	25-28	0-22	54	619UD10B-25
DN25	1"	32	33.40	24.5	31.2	19.2	52	38	30	53	8	1"	10	32-35	0-22	70.7	619UD10B-32



ELBOW OUTLET CONNECTOR

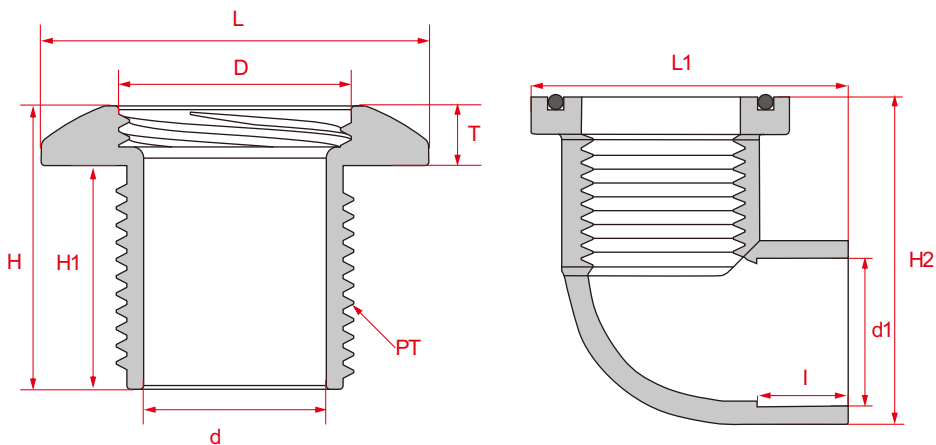
SIZE: DN15~DN25, 1/2"~ 1"

CONNECTION: Thread, Socket

MATERIAL: UPVC

STANDARD: DIN

COLOUR: Black



Unit:mm

NOMINAL SIZE	STRUCTURE SIZE											PRESSURE	HOLE SIZE	CLAMPING THICKNESS	APPROX. WT.	PRODUCT CODE
	DN	d1	d	D	l	L	L1	H	H1	H2	T					
DN15	20	14	18	16.5	38	49	27.5	20	38	7.5	1/2"	10	20-23	5-12	40	620UD10B-20
DN20	25	18.5	24	19.2	45	56	37.9	30	60	7.9	3/4"	10	25-28	0-22	68	620UD10B-25
DN25	32	24.5	31.2	22.5	52	66	38	30	70	8	1"	10	32-35	0-22	103	620UD10B-32

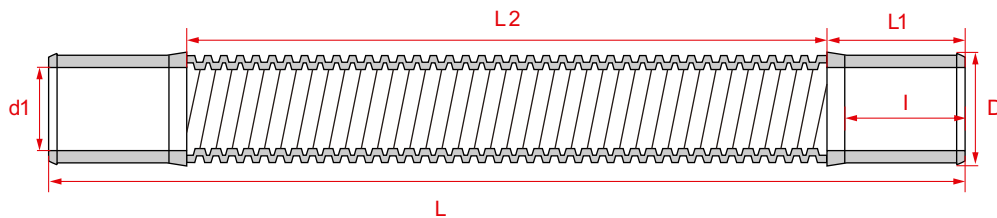
AQUARIUM FITTINGS



RIBBED HOISING

SIZE: DN15~DN40

CONNECTION: Socket
MATERIAL: EVA
STANDARD: DIN
COLOUR: Black



Unit:mm

NOMINAL SIZE	STRUCTURE SIZE						APPROX. WT.	PRODUCT CODE
d1*L(m)	d1	D	I	L	L1	L2	g	
20mm*0.3m	20	25	25	300	35	230±25	32.9	607EVAD00B-20/0.3M
20mm*0.5m	20	25	25	500	35	430±25	50	607EVAD00B-20/0.5M
25mm*0.3m	25	33	28	300	40	220±25	50.6	607EVAD00B-25/0.3M
25mm*0.5m	25	33	28	500	40	420±25	75.7	607EVAD00B-25/0.5M
25mm*1m	25	33	28	1000	40	920±25	142.2	607EVAD00B-25/1M
32mm*0.3m	32	40	28	300	45	210±25	73.6	607EVAD00B-32/0.3M
32mm*0.5m	32	40	28	500	45	410±25	105.8	607EVAD00B-32/0.5M
32mm*1m	32	40	28	1000	45	910±25	202.6	607EVAD00B-32/1M
40mm*0.3m	40	46	28	300	50	200±25	105.7	607EVAD00B-40/0.3M
40mm*0.5m	40	46	28	500	50	400±25	154.9	607EVAD00B-40/0.5M
40mm*1m	40	46	28	1000	50	900±25	288.1	607EVAD00B-40/1M
50mm*0.3m	50	58	32	300	55	190±25	151.9	607EVAD00B-50/0.3M
50mm*0.5m	50	58	32	500	55	390±25	201.7	607EVAD00B-50/0.5M
50mm*1m	50	58	32	1000	55	890±25	363.4	607EVAD00B-50/1M

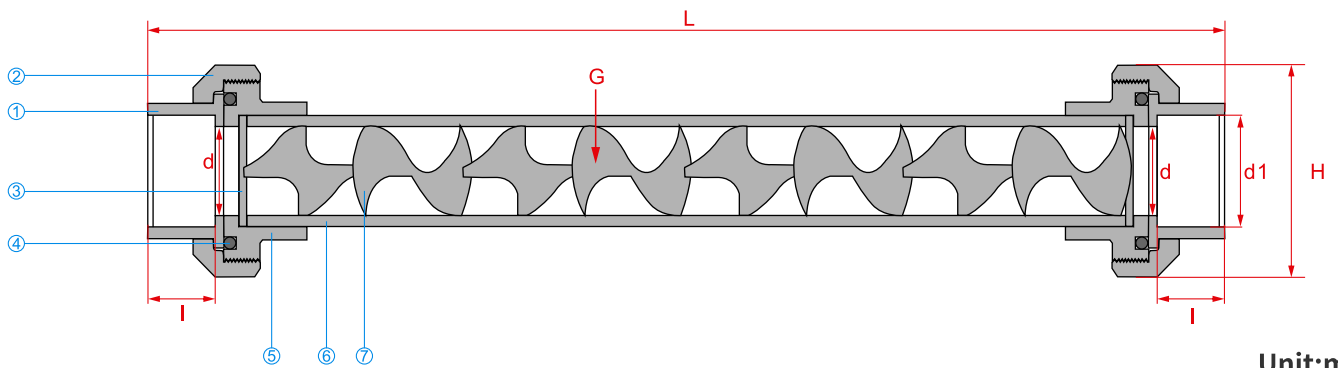


UNION STATIC MIXER

SIZE: DN15~DN80

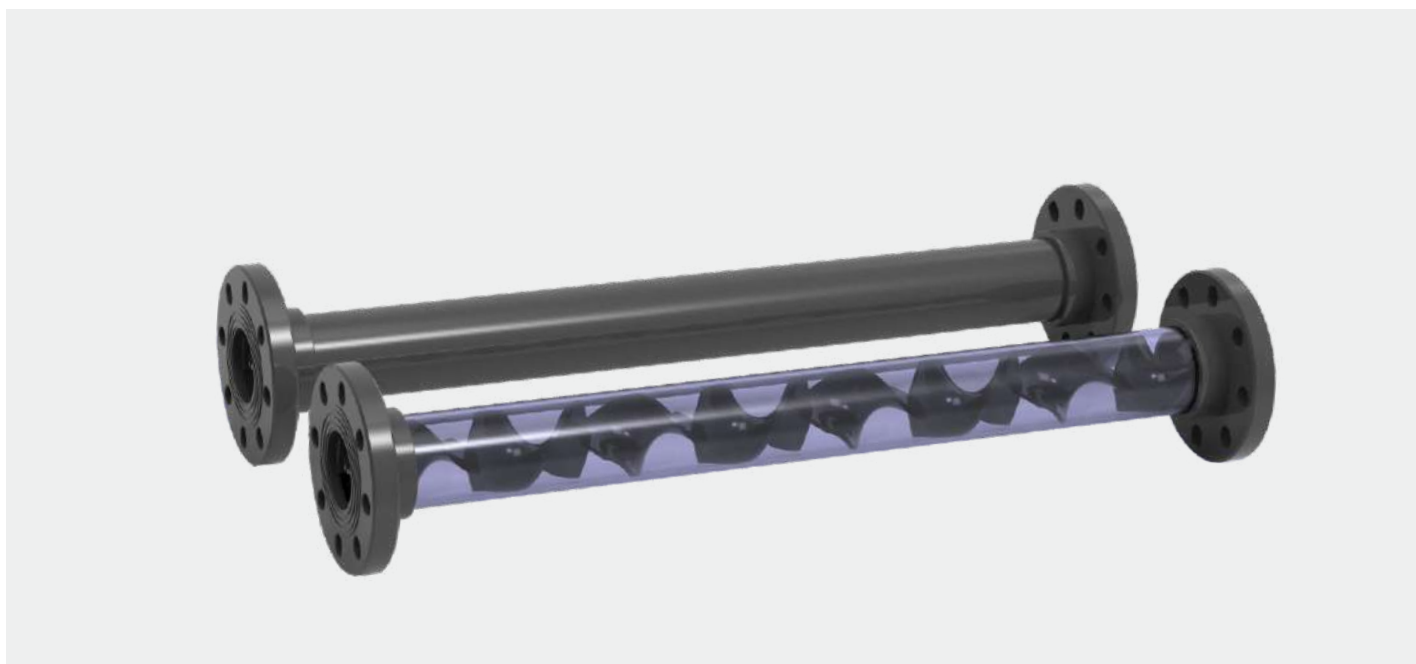
CONNECTION: Socket
MATERIAL: UPVC
STANDARD: DIN
COLOUR: Gray, Gray+Clear

CONSTRUCTION			
ITEM	PART	QTY	MATERIAL
1	Adapter	2	UPVC
2	Nut	2	UPVC
3	Fixed Snap	2	UPVC
4	O-ring	2	EPDM
5	Union Body	1	UPVC
6	Pipe	1	UPVC
7	Mixer	8	UPVC



Unit:mm

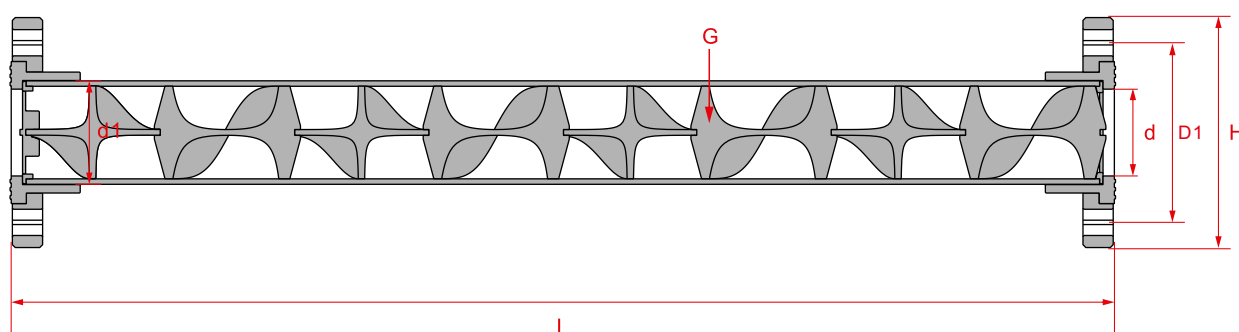
NOMINAL SIZE	STRUCTURE SIZE						FLOW RANGE	PRESSURE	APPROX. WT.(g)		PRODUCT CODE
	DN	d1	d	I	L	H			G(pcs)	m³/h	
DN15	20	15	23.0	260	54.0	8	0.4-1	10	236.5	-	501UD10G-20E
DN20	25	20	26.0	323	63.0	8	0.6-1.2	10	355.9	360.6	501UD10G-25E
DN25	32	25	29.0	400	73.5	8	1-3.2	10	549.5	557.3	501UD10G-32E
DN32	40	32	33.0	515	84.5	8	1.4-6	10	877.2	845.2	501UD10G-40E
DN40	50	40	35.5	625	98.0	8	2.2-8	10	1350	1250	501UD10G-50E
DN50	63	50	38.5	755	119.0	8	3.5-18	10	2150	2050	501UD10G-63E
DN65	75	63	64.5	930	150.0	8	10-60	10	3650	3598	501UD10G-75E
DN80	90	75.0	70.0	1126	169.0	8	15-80	10	5404	5568	501UD10G-90E



FLANGED STATIC MIXER

SIZE: DN65~DN100

- CONNECTION:** RF-Flange
- MATERIAL:** UPVC
- STANDARD:** DIN
- COLOUR:** Gray, Gray+Clear



Unit:mm

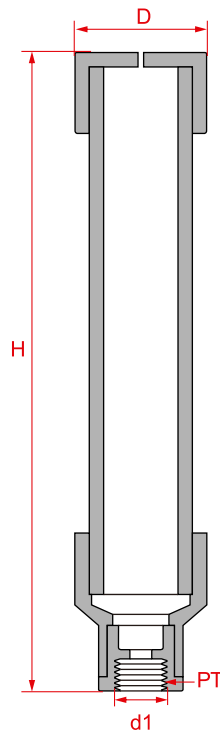
NOMINAL SIZE	STRUCTURE SIZE						FLOW RANGE	PRESSURE	APPROX. WT.(g)		PRODUCT CODE
DN	d1	d	D1	L	H	G(pcs)	m³/h	PN	Clear	Gray	Gray
DN65	75	67.6	145	779	185	8	10-60	10	2837	2825	502UD10G-75
DN80	90	75.5	160	961.4	200	8	15-80	10	3863	4030	502UD10G-90
DN100	110	95.2	180	1182	220	8	30-120	10	5950	5800	502UD10G-110



FEMALE CALIBRATION COLUMN

SIZE: 100ml

- CONNECTION:** Thread
- MATERIAL:** UPVC
- STANDARD:** DIN
- COLOUR:** Gray+Clear



Unit:mm

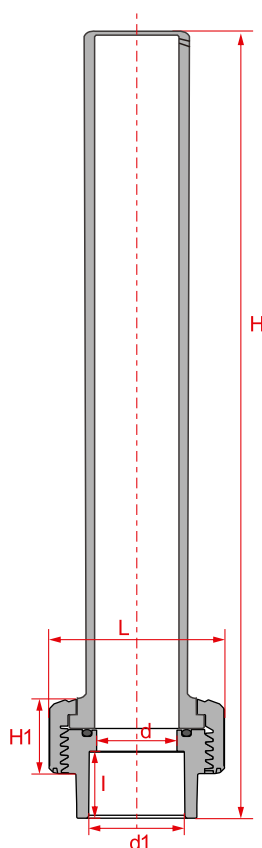
NOMINAL SIZE	STRUCTURE SIZE				APPROX.WT.	PRODUCT CODE
volume(ml)	d1	D	H	Thread	g	
100ml	1/2"	40	297	PT	168.4	504UD00T-100ML



UNION CALIBRATION COLUMN

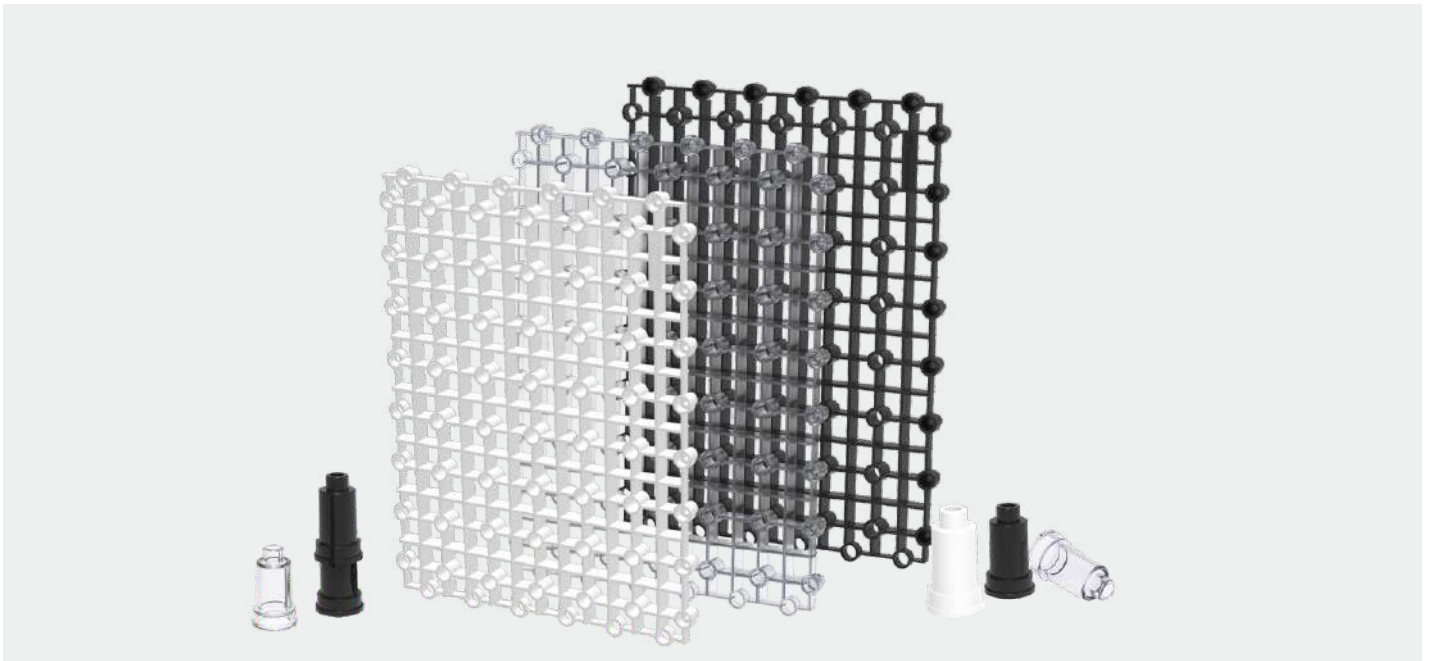
SIZE: 100mL,200mL

- CONNECTION:** Socket
- MATERIAL:** UPVC
- STANDARD:** DIN
- COLOUR:** Gray+Clear



Unit:mm

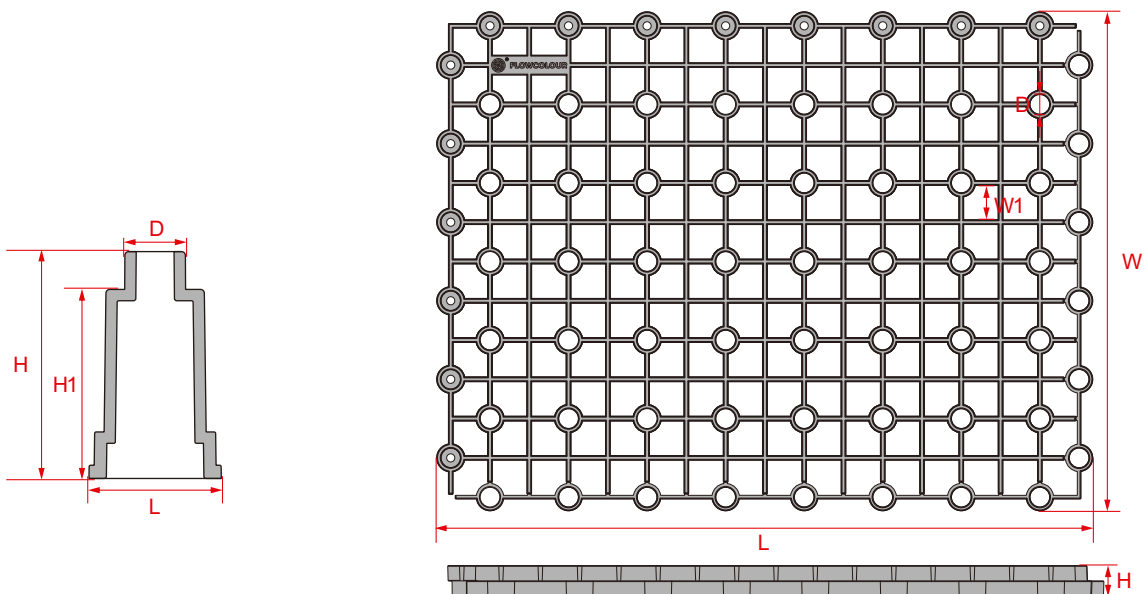
NOMINAL SIZE	d1		STRUCTURE SIZE					APPROX. WT.	PRODUCT CODE
	DIN	ANSI	d	l	L	H	H1		
100mL	32	33.4	27	22.5	59	303	25	232	503UD00T-100ML
200mL	40	42.16	34	26	73.4	355.8	29	340	503UD00T-200ML



DIVIDER PLATE / FOOT

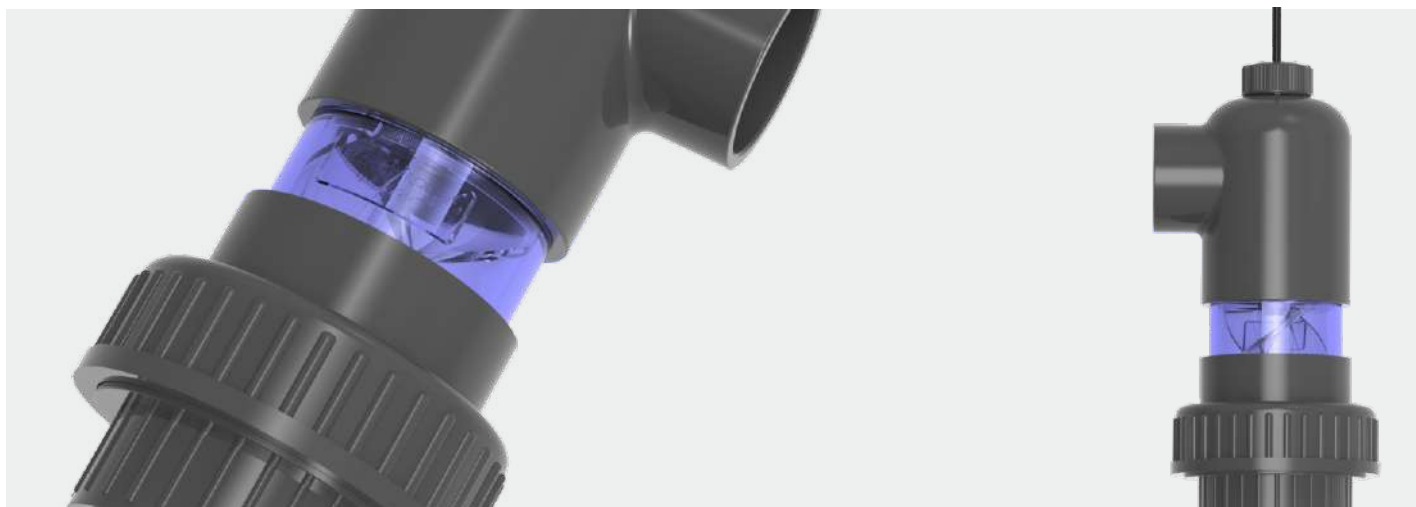
SIZE: 265.6mm*202mm

MATERIAL: ABS, PE
STANDARD: DIN
COLOUR: Clear, White, Black



Unit:mm

NAME	STRUCTURE SIZE						APPROX. WT.(g)		PRODUCT CODE
	D	L	H	H1	W	W1	Black/Clear	White	Black
Divider plate	8	265.6	12.3	--	202	14	137.9	107.4	615ABSN00B
Foot	8	17.5	30	25	--	--	2.2	1.8	616ABSN00B

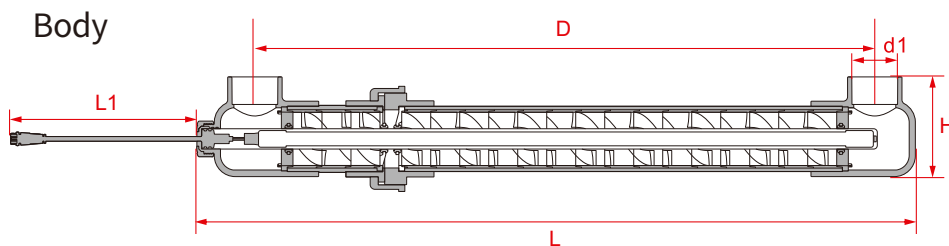


UV STERILIZER

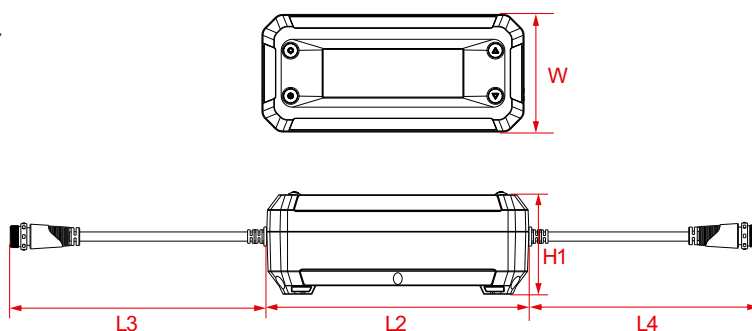
SIZE: DN50(80W)

CONNECTION: Socket
MATERIAL: UPVC, PC
STANDARD: DIN
COLOUR: Gray

Technical Parameters			
Product Size:	1030*180*150mm	Connection Size:	DN50
Voltage:	220V-240V/50/60Hz	Maximum Flow:	50000L/h
Wattage:	80W	Maximum Pressure:	PN10
Cord Length:	3.5 Meters	Product Material:	UPVC, PC
Lamp Lifespan:	8000 Hours	Connection Method:	Socket



Controller



Unit:mm

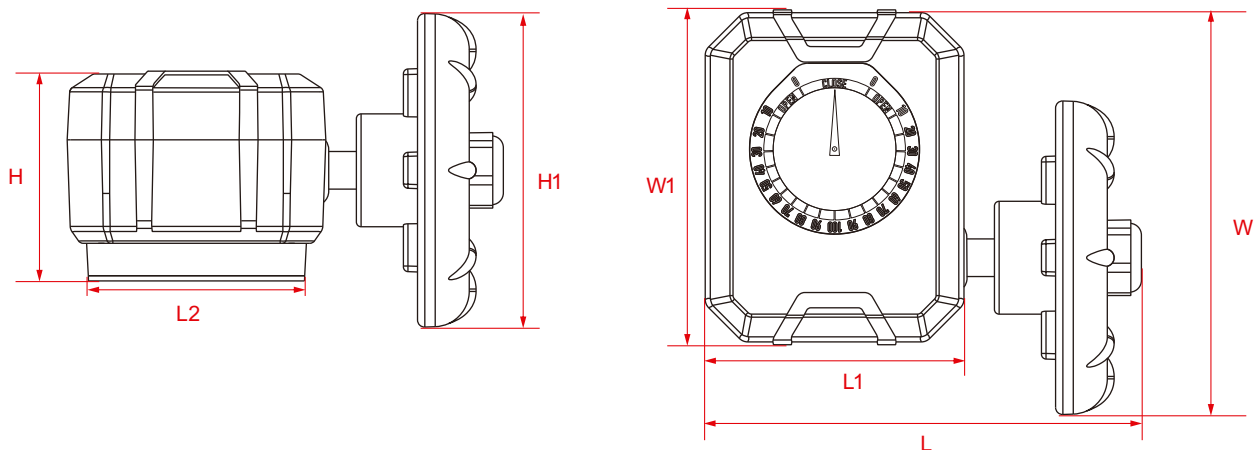
NOMINAL SIZE	STRUCTURE SIZE										PRESSURE	APPROX. WT.	PRODUCT CODE
	d1	D	L	H	W	H1	L1	L2	L3	L4			
DN50	63	855	991	137.5	83	70	1800	183.8	200	200	10	9100	401UD10G-80W



BALL VALVE GEARBOX

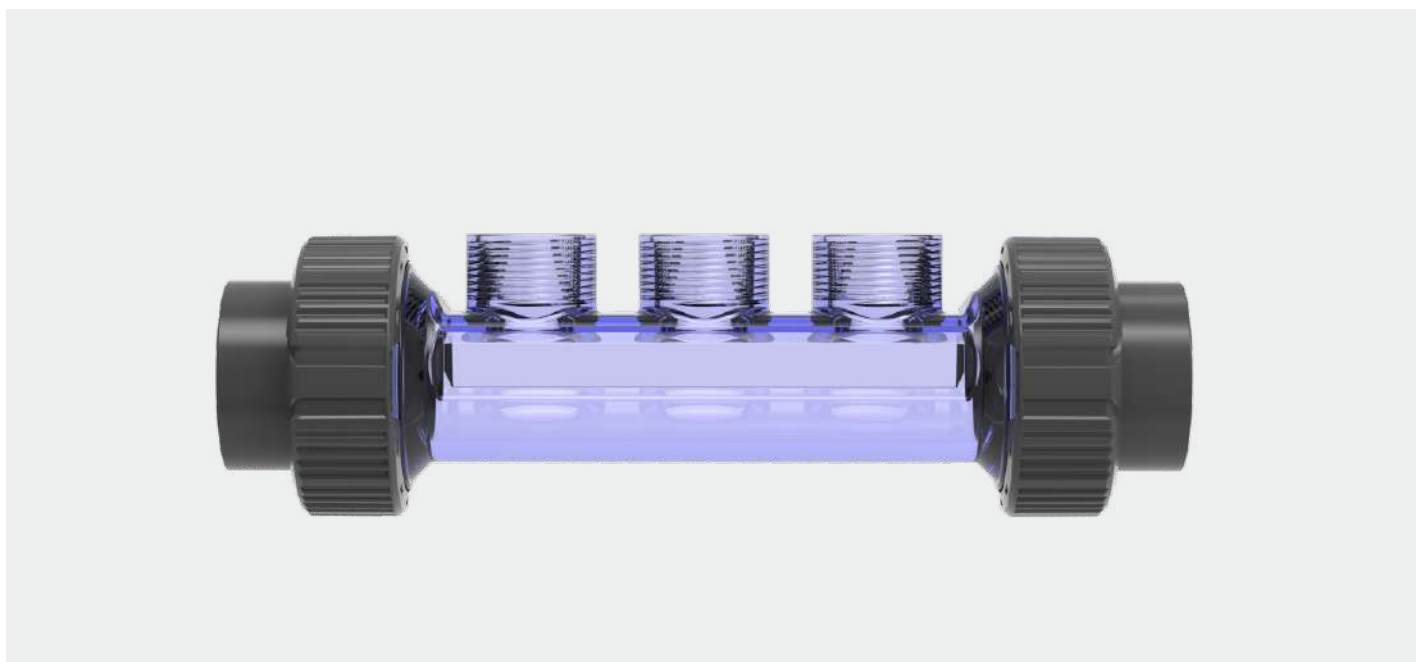
CONNECTION: ISO5211

OUTER BOX MATERIAL: PPO
ENCLOSURE: IP66
SPEED RATIO: 30:1



Unit:mm

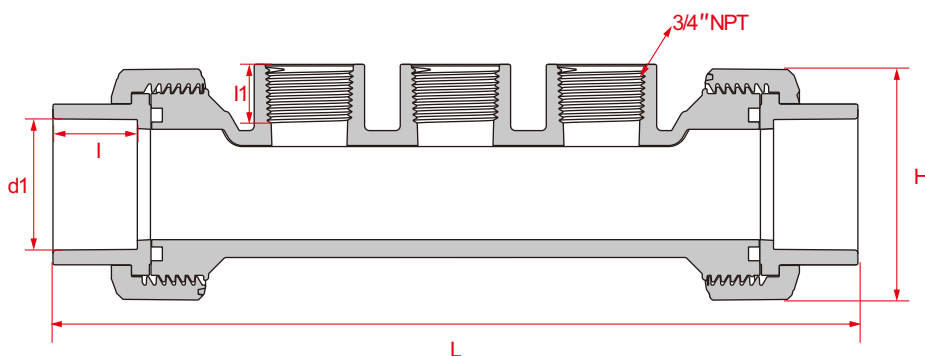
NOMINAL SIZE	STRUCTURE SIZE							TORQUE	FLANGE	APPROX. WT. g	PRODUCT CODE
	H	H1	W	W1	L	L1	L2				
10N	44.6	66.7	86	71.2	92.8	55	45.9	10N.m	F03	270	505PPOB-10N



SENSOR HOLDER

SIZE: DN25~DN50, 1"~2"

- CONNECTION:** Socket
- MATERIAL:** UPVC, Clear-PVC
- STANDARD:** DIN, ANSI
- COLOUR:** Gray, Gray+Clear



Unit:mm

NOMINAL SIZE		d1		STRUCTURE SIZE				PRESSURE	APPROX. WT.	PRODUCT CODE
DN	ANSI	DIN	ANSI	I	I1	L	H	PN	g	
DN25	1"	32	33.4	22.5	18	240	71	10		506UD10T-32E
DN32	1-1/4"	40	42.16	25.7	18	248	71	10	408	506UD10T-40E
DN40	1-1/2"	50	48.26	31.5	18	291.4	104	10		506UD10T-50E
DN50	2"	63	60.33	38	18	291.4	104	10		506UD10T-63E



FLOW CREATES VALUE

流动创造价值

枣庄溢彩商贸有限公司

Zaozhuang Flowcolour Trade Co. , Ltd.

Add: Shengbei market B7-31/32, Shizhong District ,Zaozhuang, Shandong China

山东溢科流体技术有限公司

Shandong Flowcolour Fluid Technology Co., Ltd

Add: A1297 Guangming East Road, Shizhong District, Zaozhuang City, Shandong Province

煦彩国际贸易(厦门)有限公司

Flowcolour International Trade (Xiamen) Co. , Ltd.

Room 602, Building 1, Meifeng Sixth LI, Tong'an District, Xiamen, Fujian

Tel: 0632-3055588

E-mail: Info@flowcolour.cn

[Http://www.flowcolour.cn](http://www.flowcolour.cn)

Facebook: [FlowcolourxSanking](#)